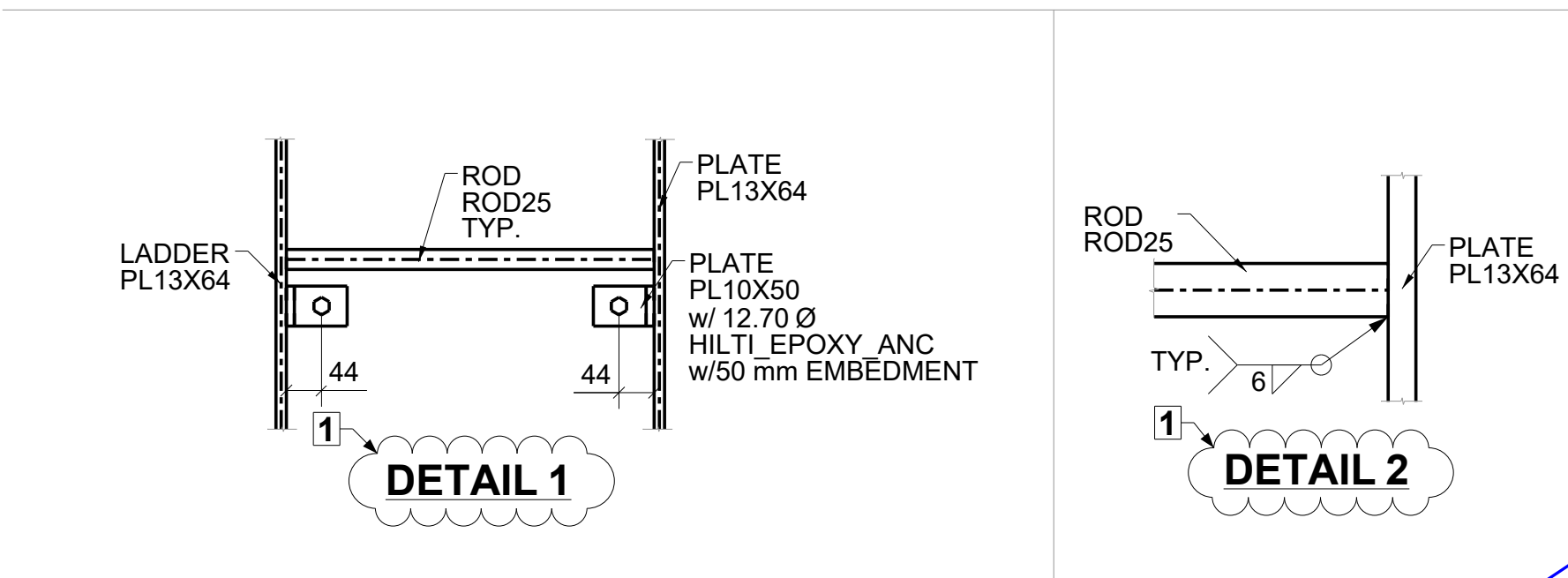
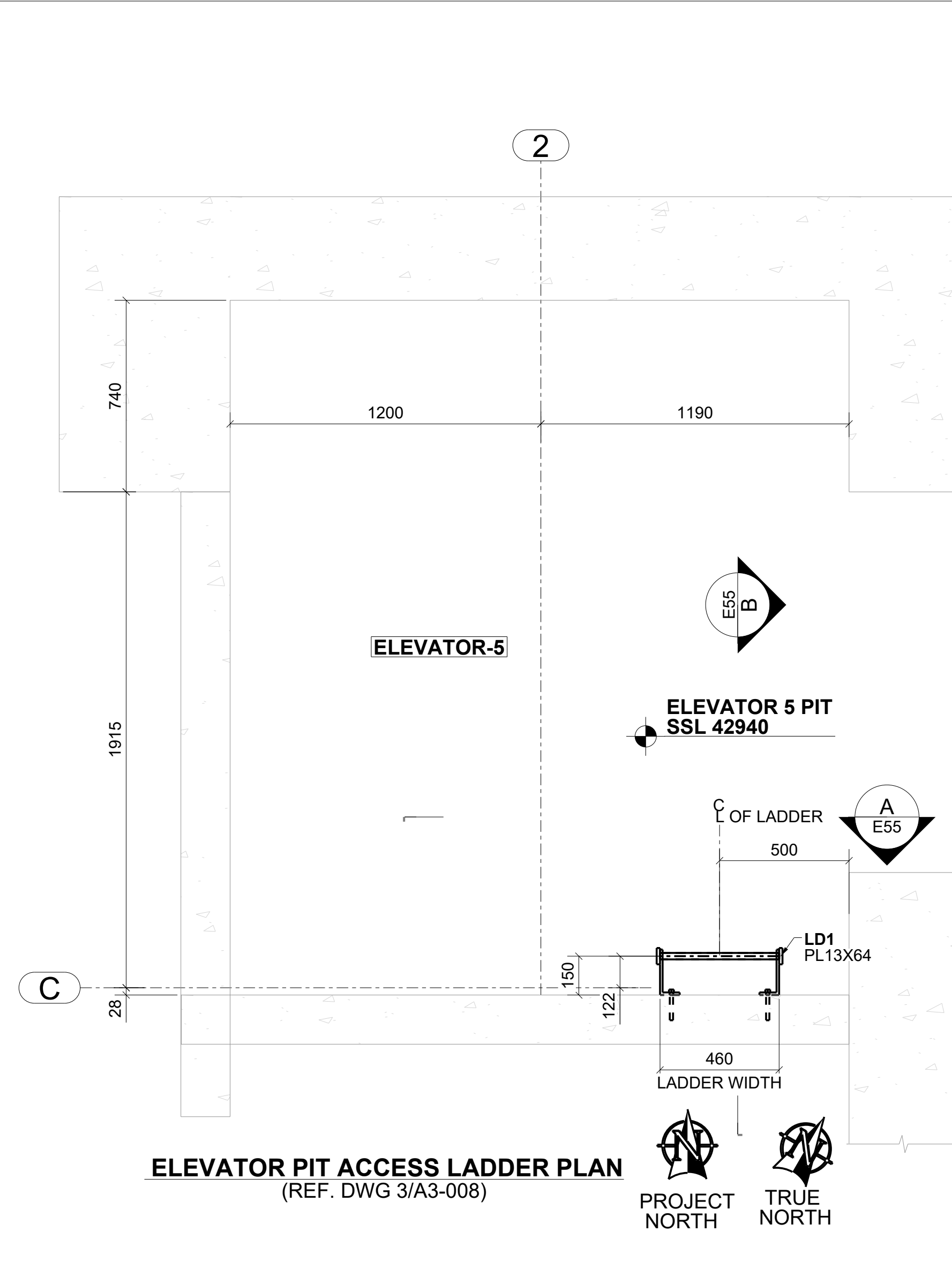


**APPROVER NOTES:-**

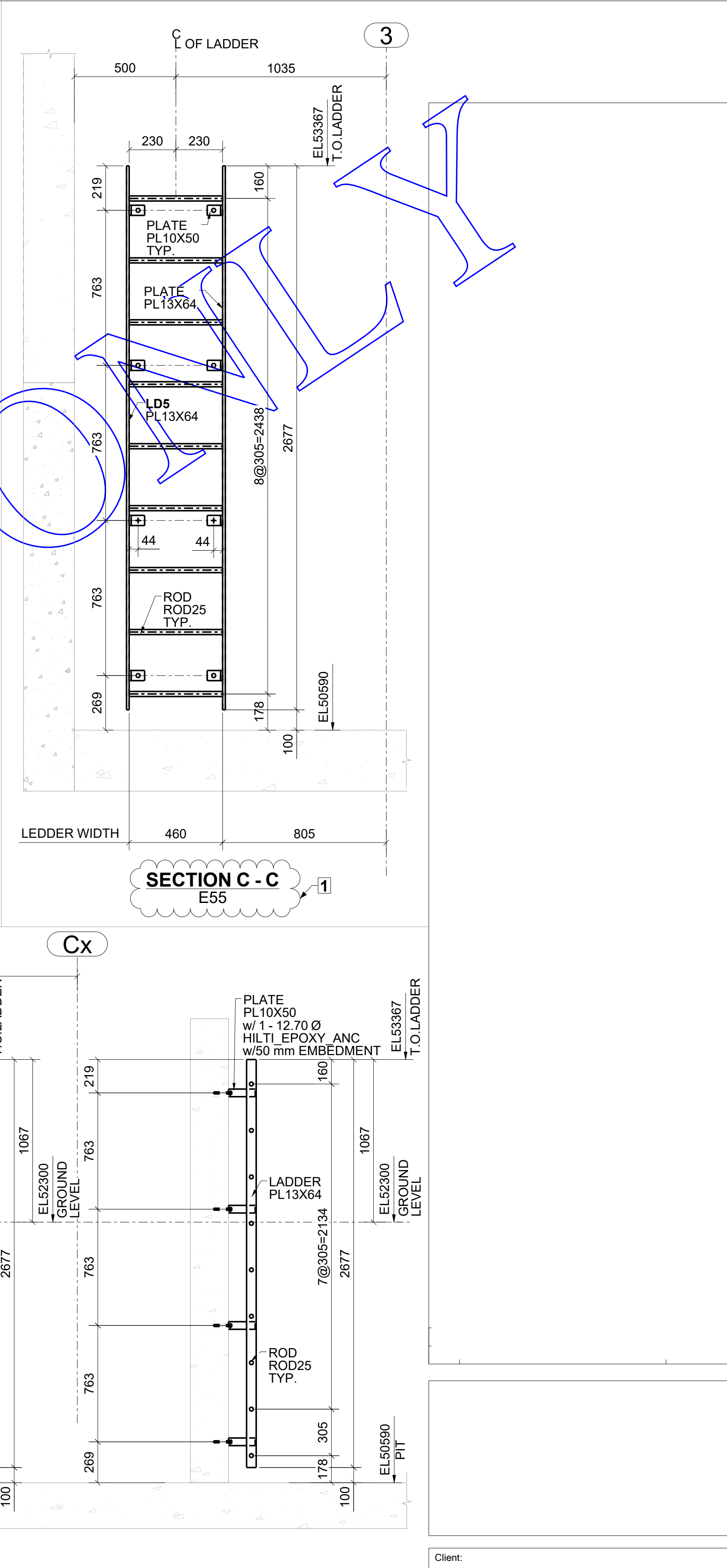
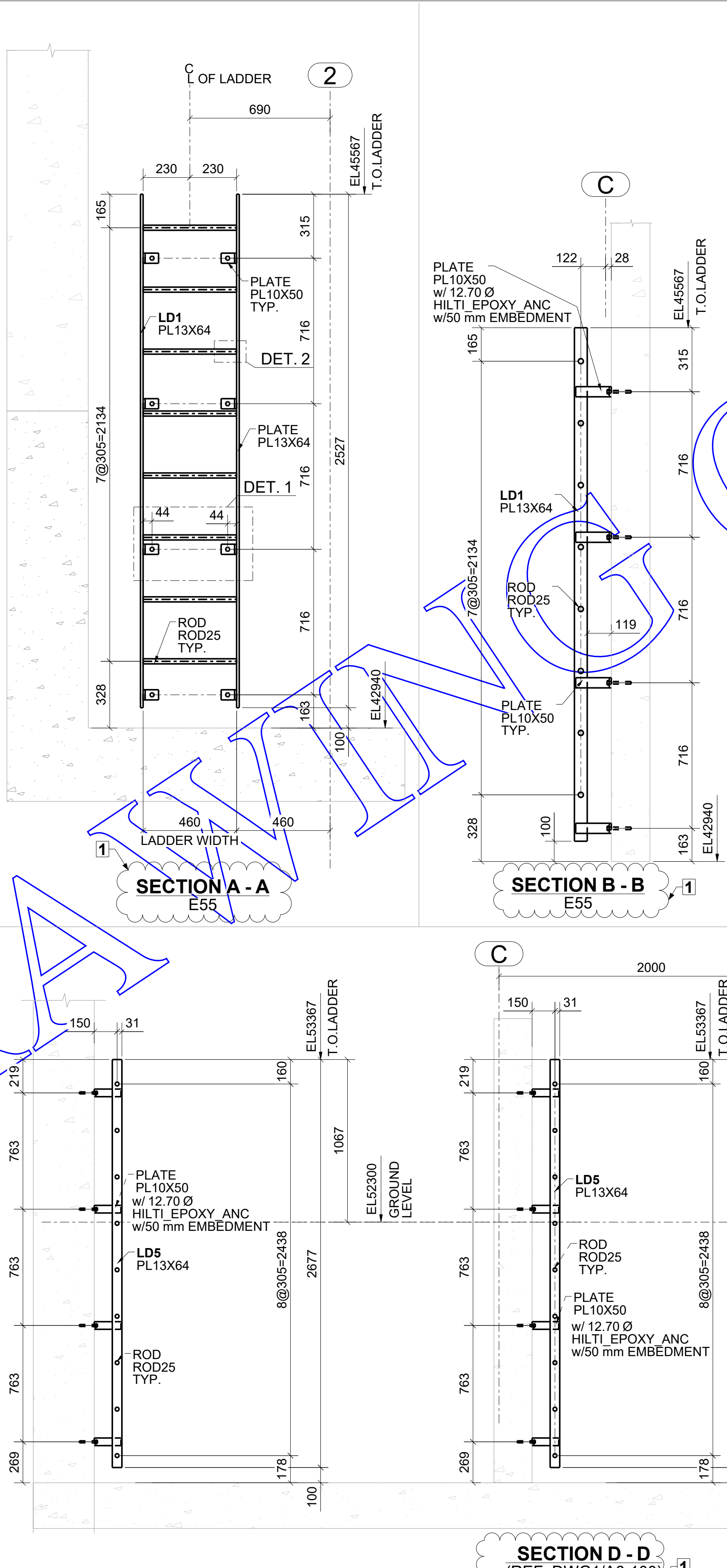
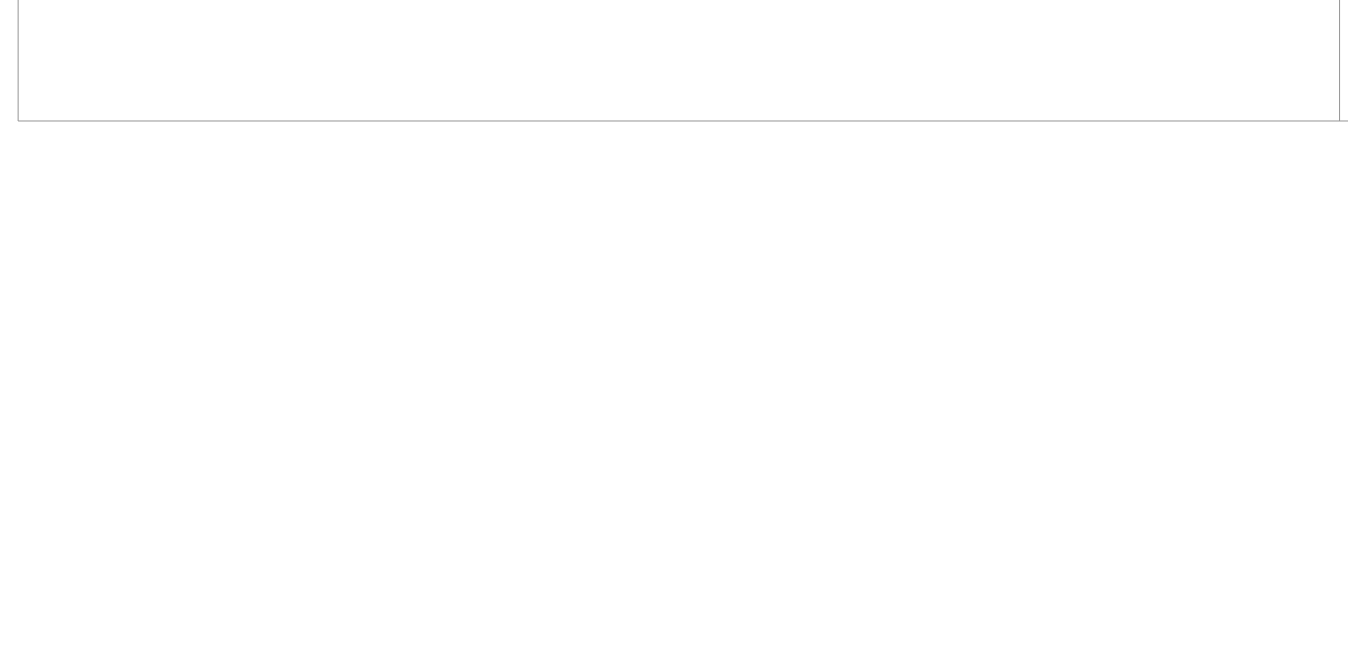
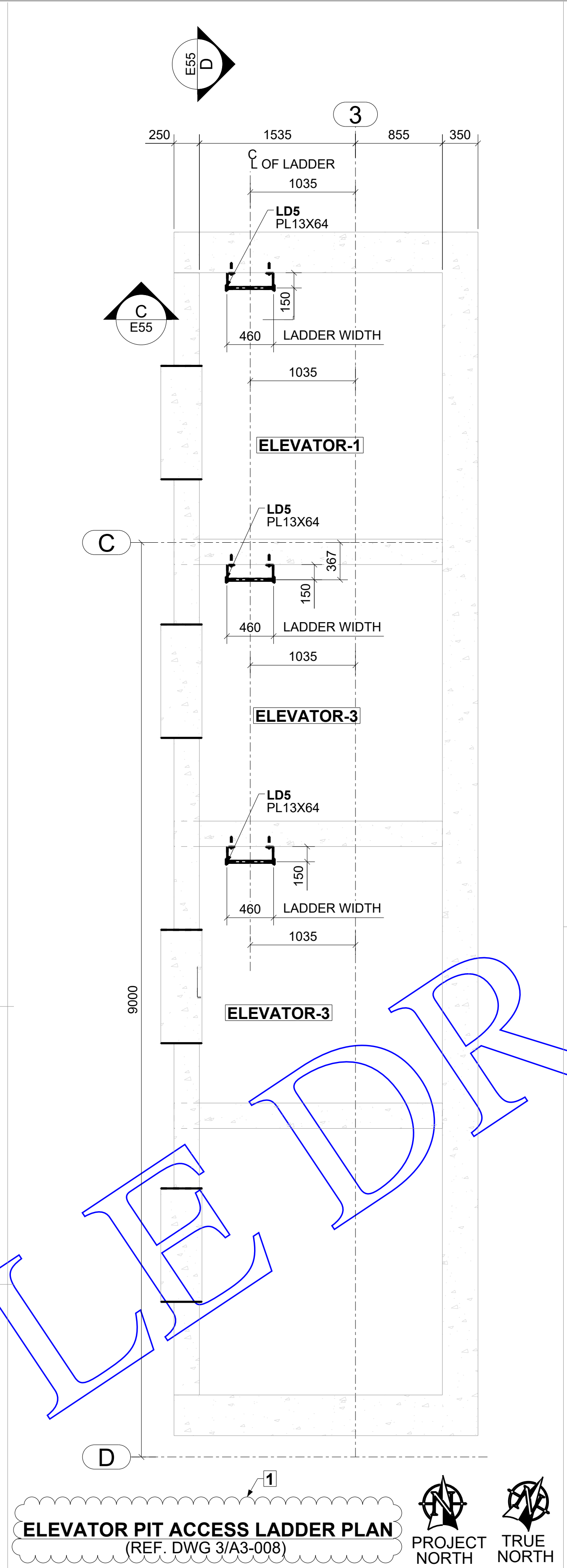
- PLEASE VERIFY AND CONFIRM CLOUDED LADDER TO PIT CONNECTION DETAIL.
- PLEASE VERIFY AND CONFIRM CLOUDED SUMP PIT LADDER ORIENTATION IN EACH SUMP.

Client:			
Engineer:			
Project Address:			
Project Description: Main and Misc. steel for Zibi Block 211			
Drawing Description: PIT LADDERS FRAMING PLAN @ SUMP ROOM			
Date:	Scale:	Drawn By: SAM	Checked By: MAK
Project Number: 2364	Drawing Number: E41	0	



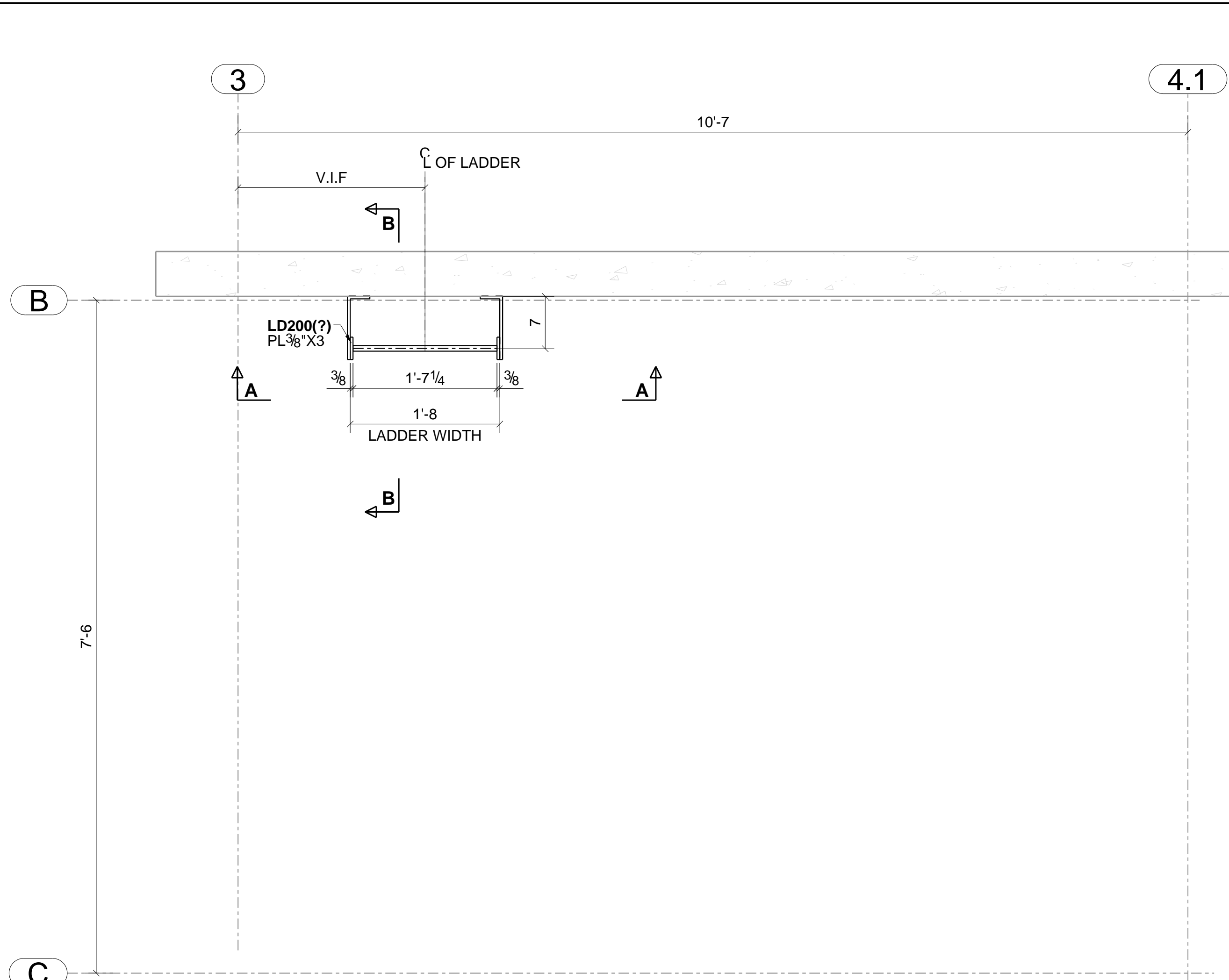
**APPROVER NOTES:-**

1 PLEASE VERIFY AND CONFIRM ELEVATOR PIT LADDERS ORIENTATION, PROFILES, ARRANGEMENT AND CONNECTION DETAILS.

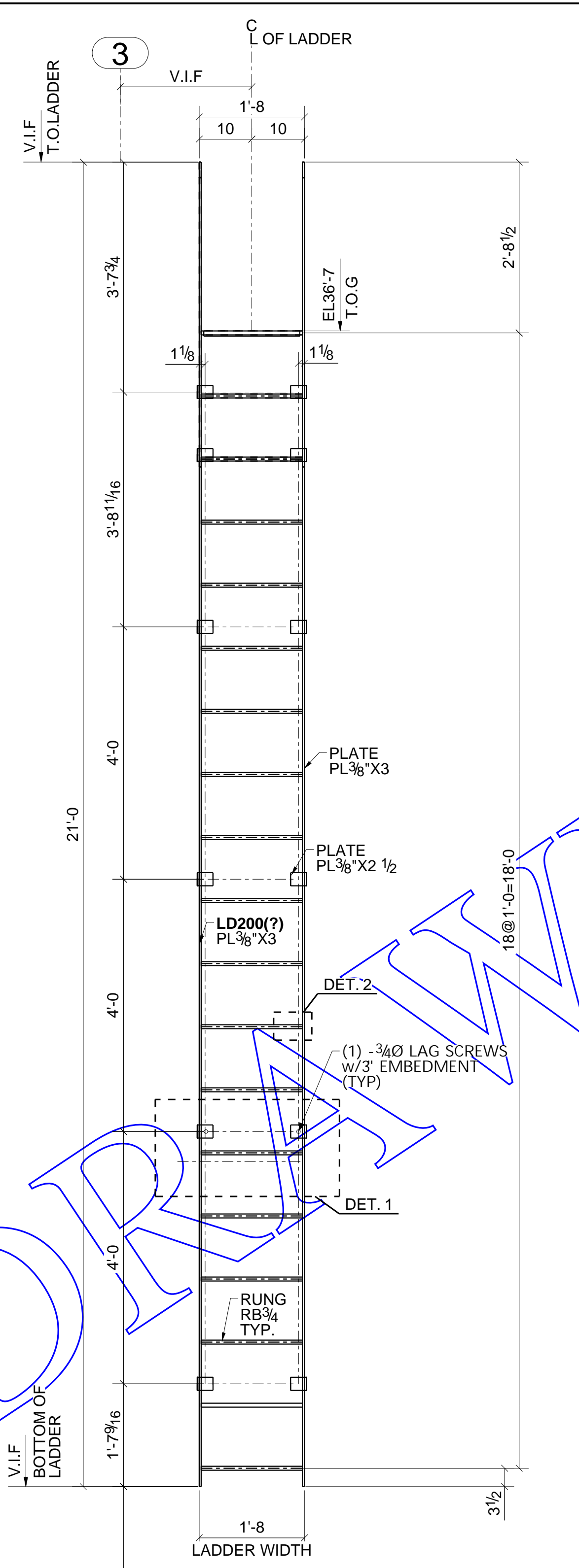
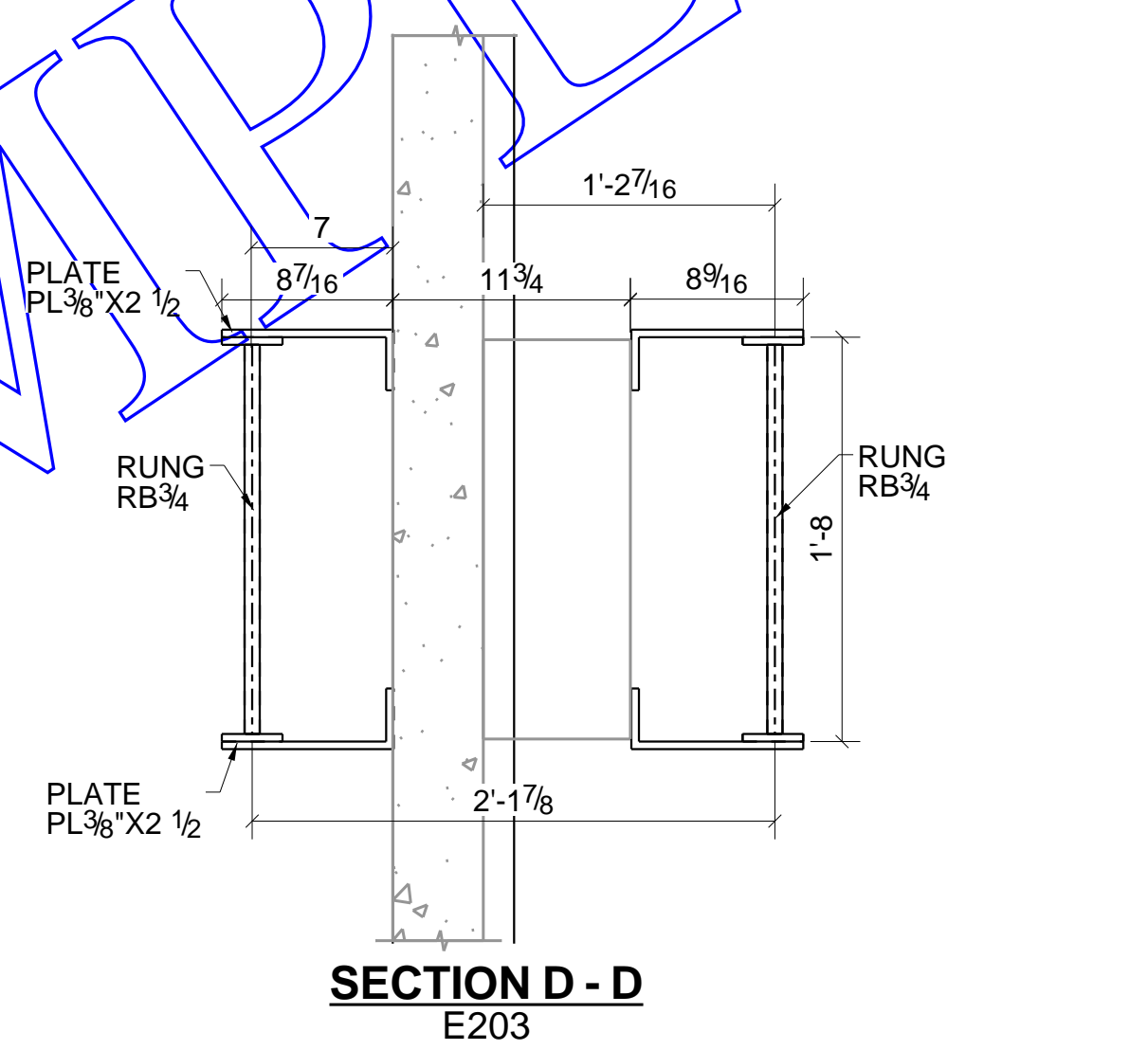
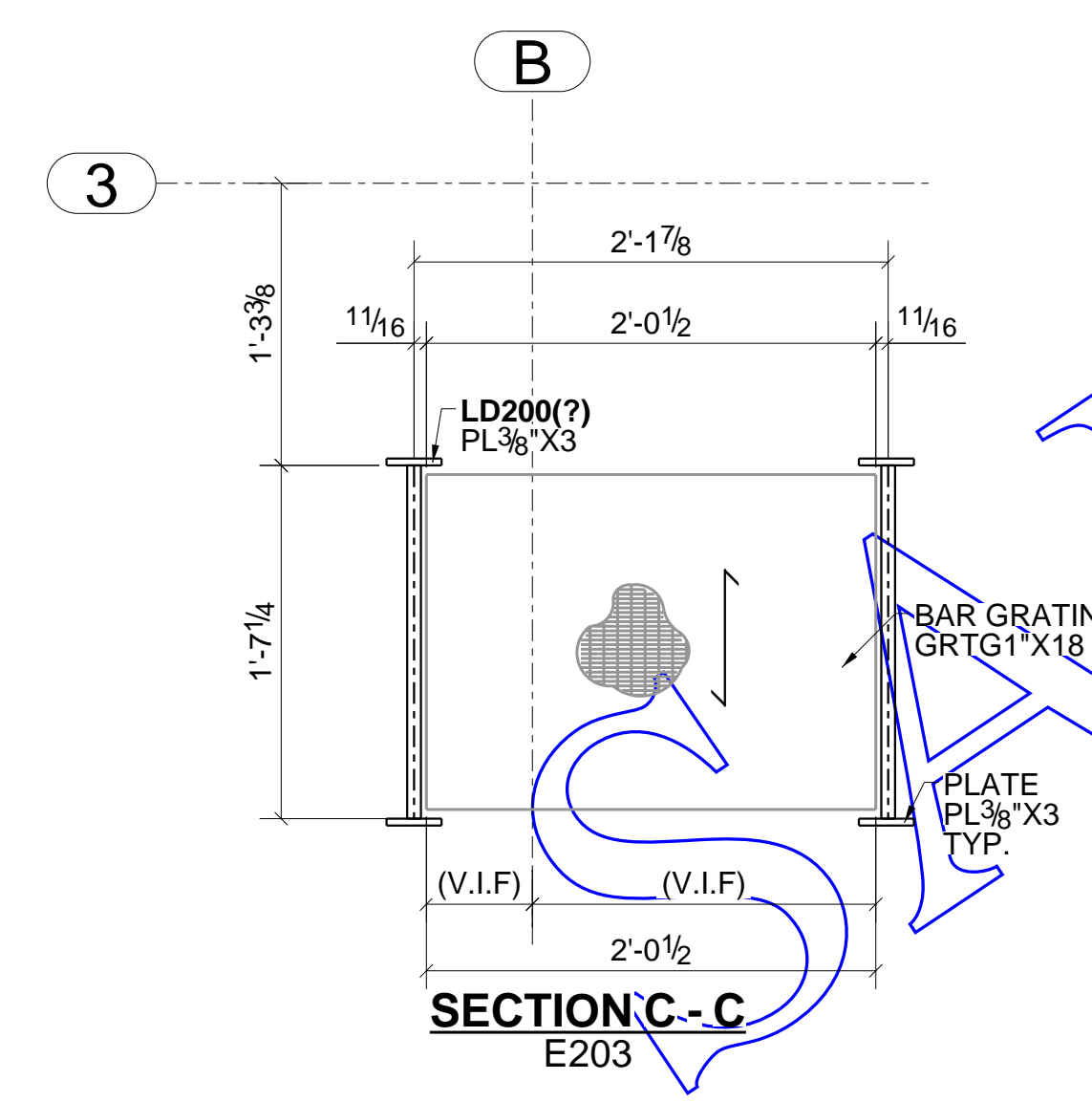
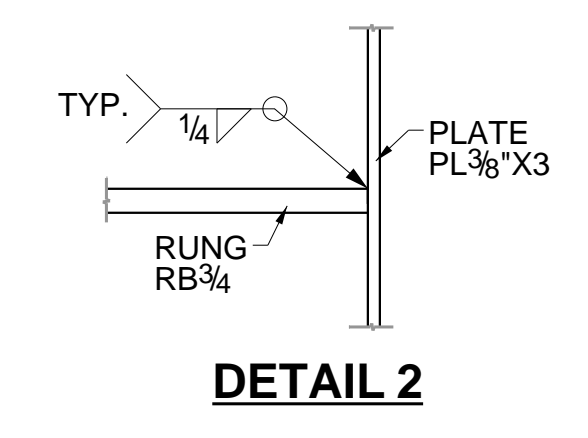
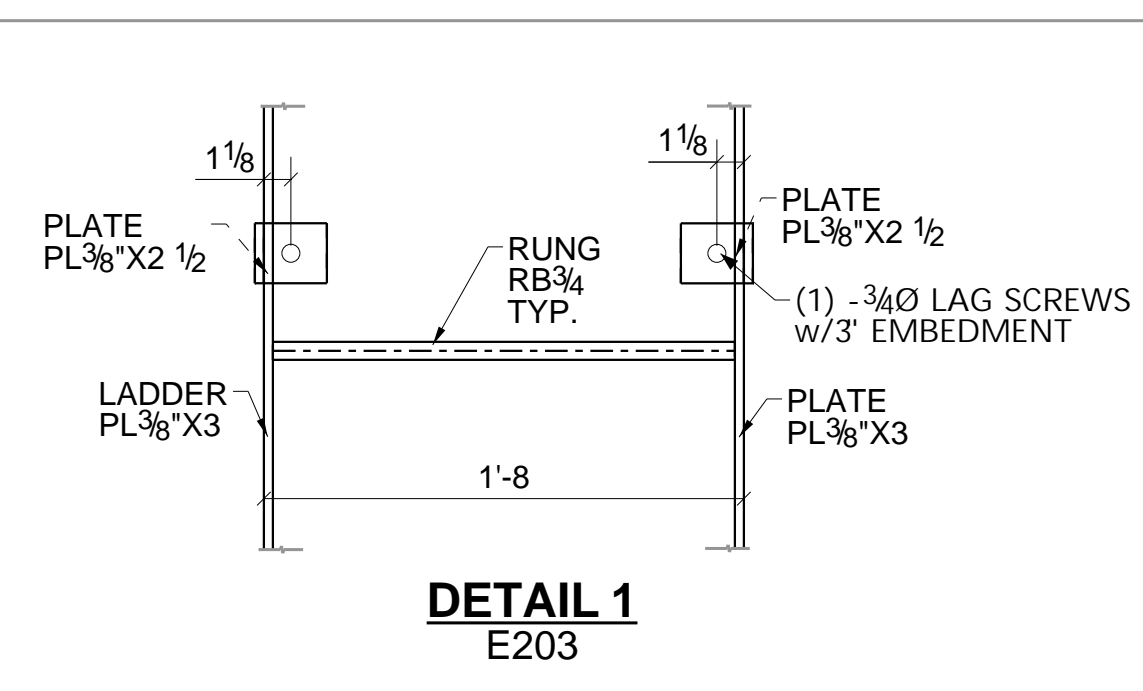


Client:			
Engineer:			
Project Address:			
Project Description: Main and Misc. steel for Zibi Block 211			
Drawing Description: PIT LADDERS PLAN & DETAILS AT ELEV-1, 2, 3 & 5			
Date:	Scale:	Drawn By: SAM	Checked By: MAK
Project Number: 2364	Drawing Number: E55	0	

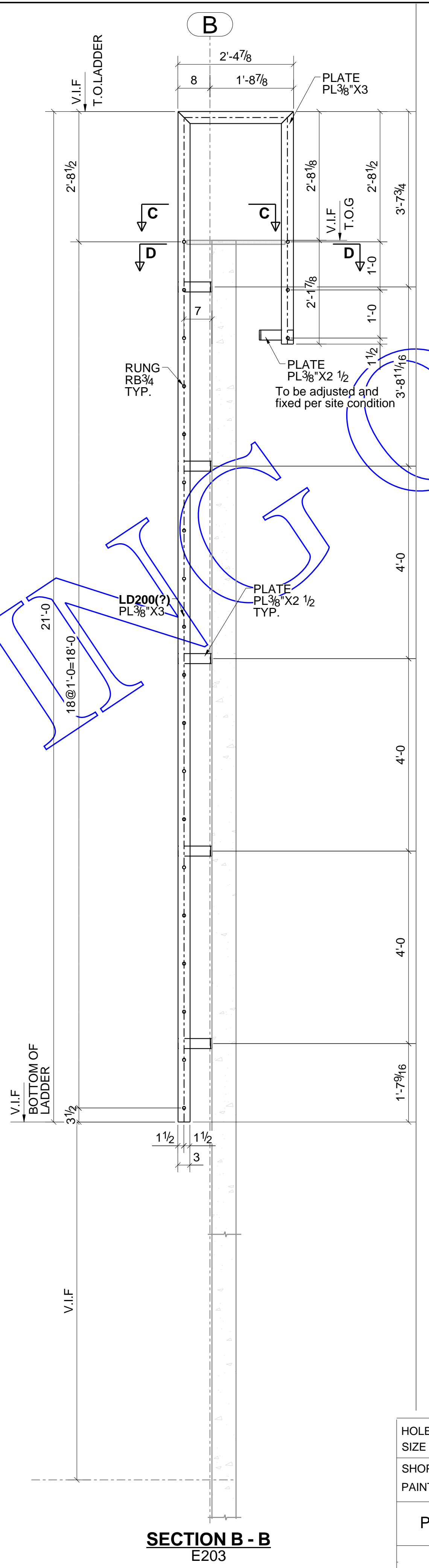




**ROOF ACCESS LADDER FRAMING PLAN OF BUILDING TYPE II**  
(REF.DWG:A10.1)



**SECTION A - A**  
(REF.DWG:E/A10.4)

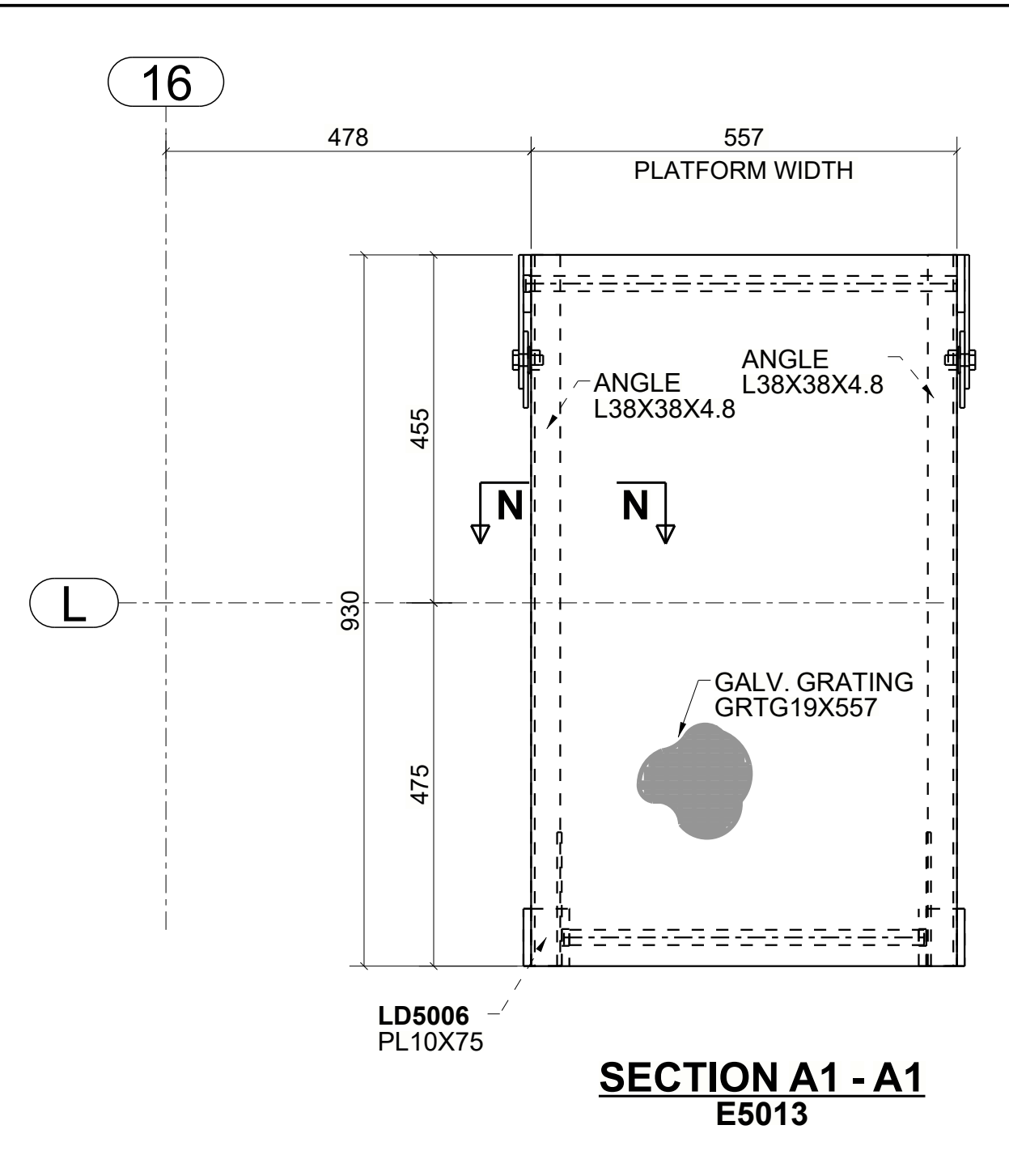


**SECTION B - B**  
E203

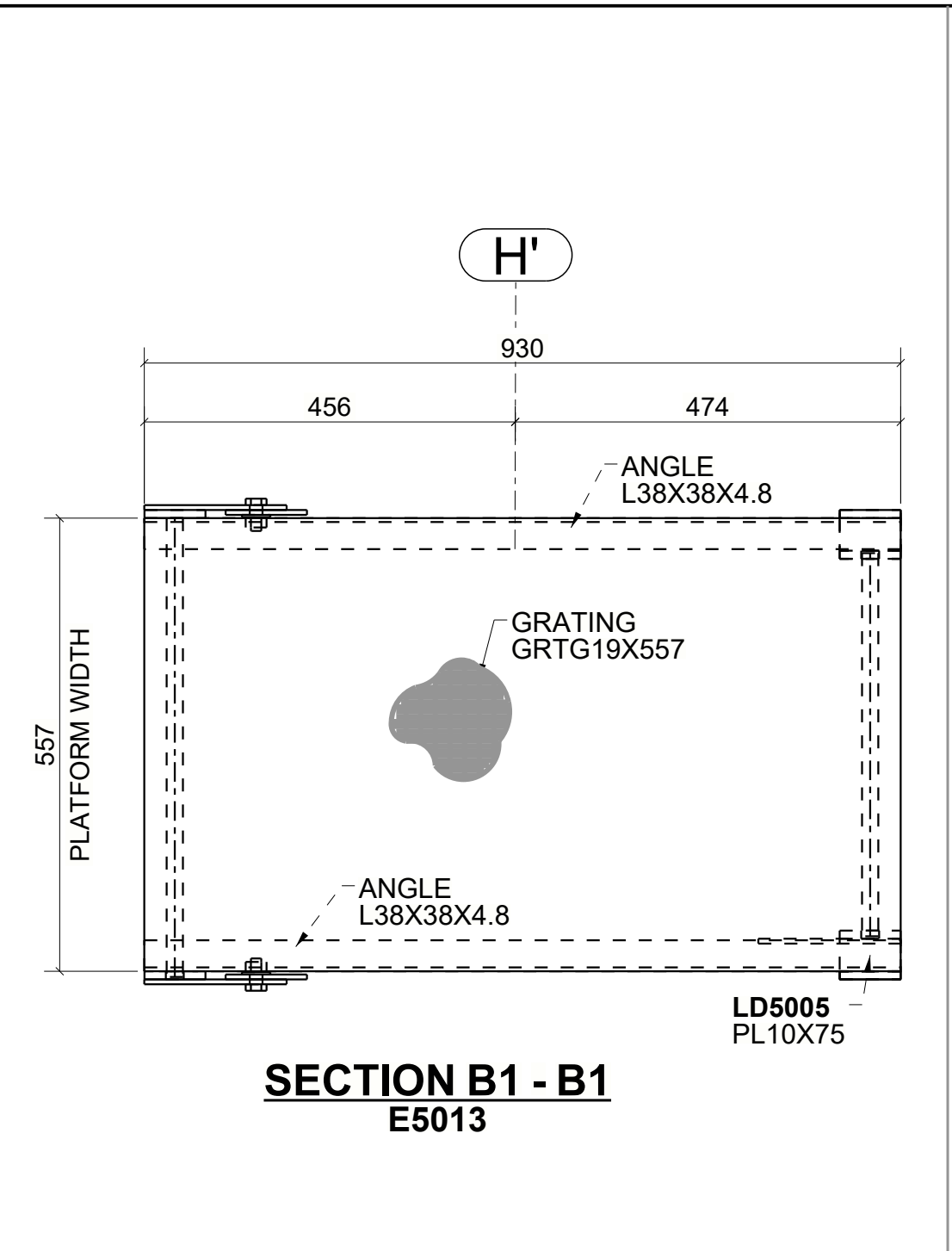
HOLE SIZE	13/16 U.N.O.			
SHOP PAINT	AS NOTED			
<b>PRINT RECORD</b>		SCALE:	JOB NUMBER:	PO NUMBER:
		DATE:	#1908	CHECKED BY: MAK
		JOB DESCRIPTION:		DRAWING NUMBER:
				E203
		CUSTOMER:		
		TITLE:		
		ROOF ACCESS LADDER FOR BUILDING TYPE II		



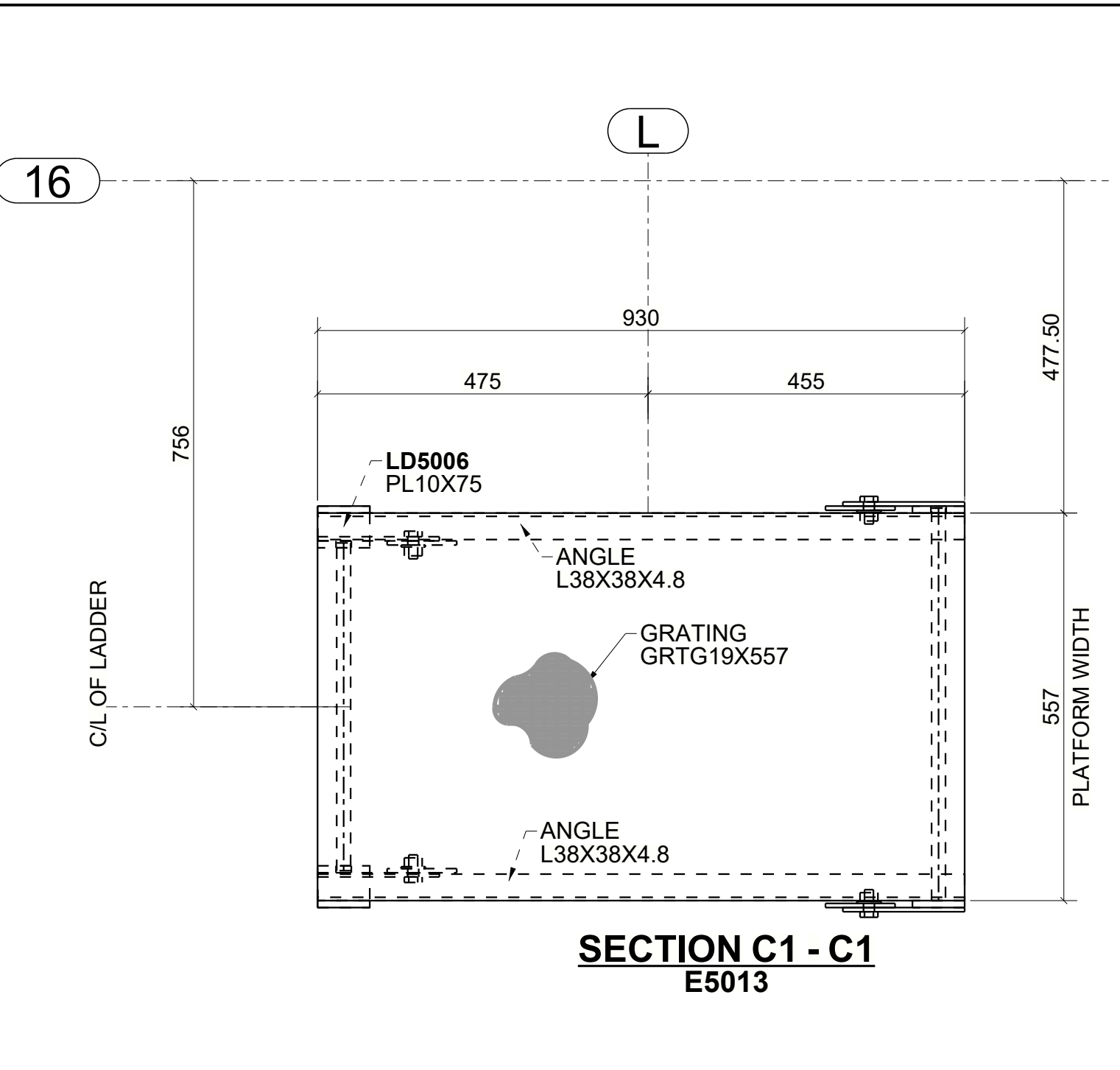




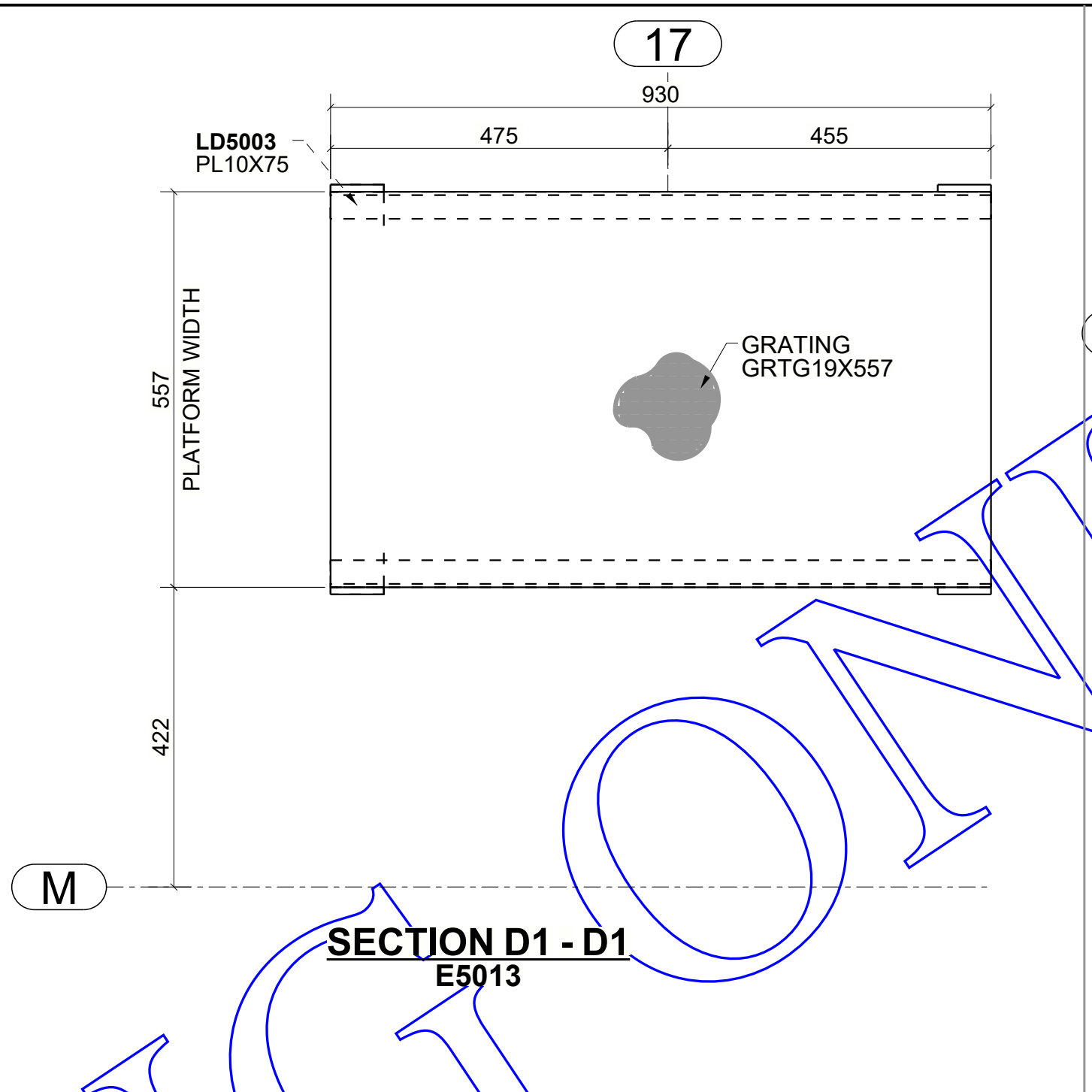
**SECTION A1 - A1**  
E5013



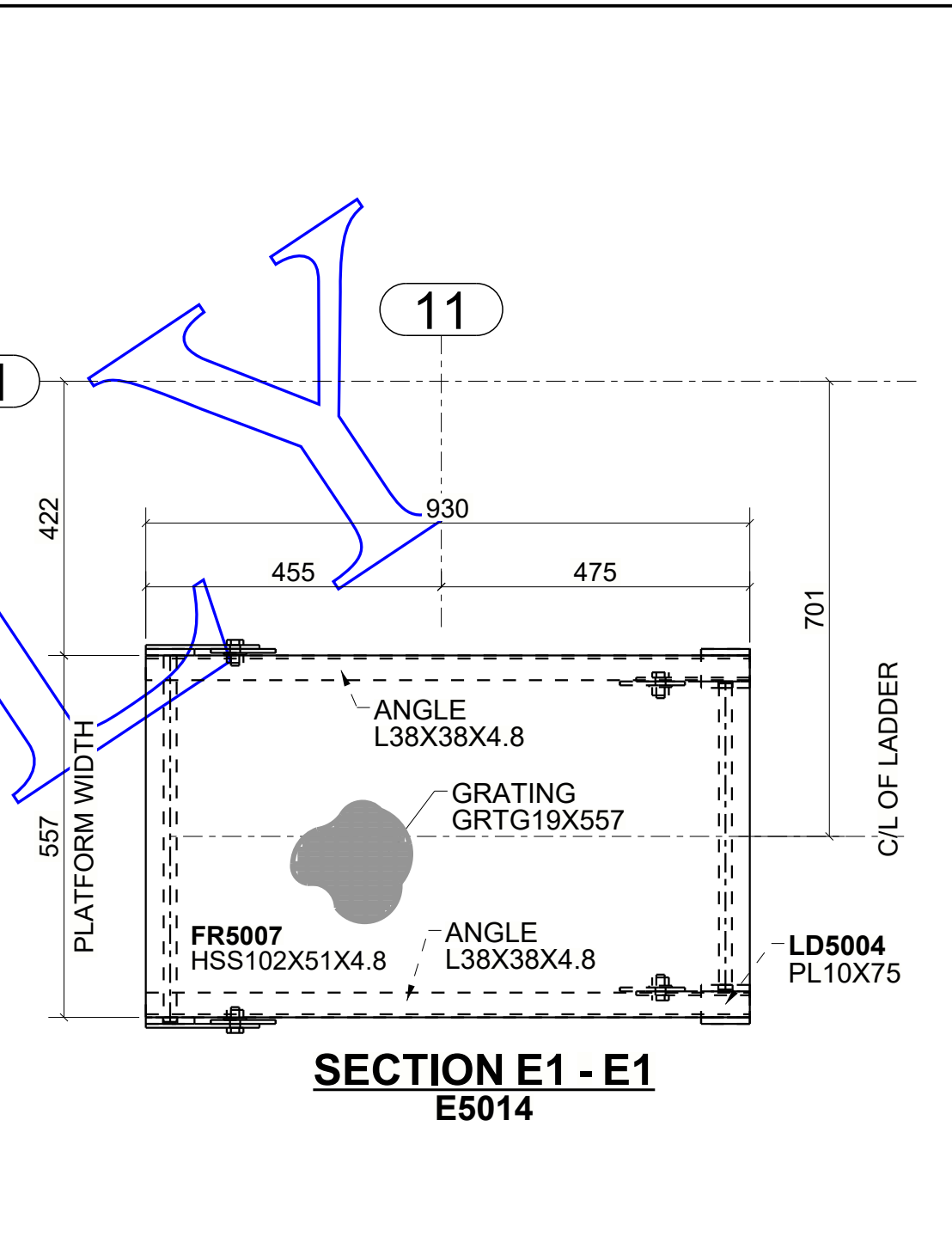
**SECTION B1 - B1**  
E5013



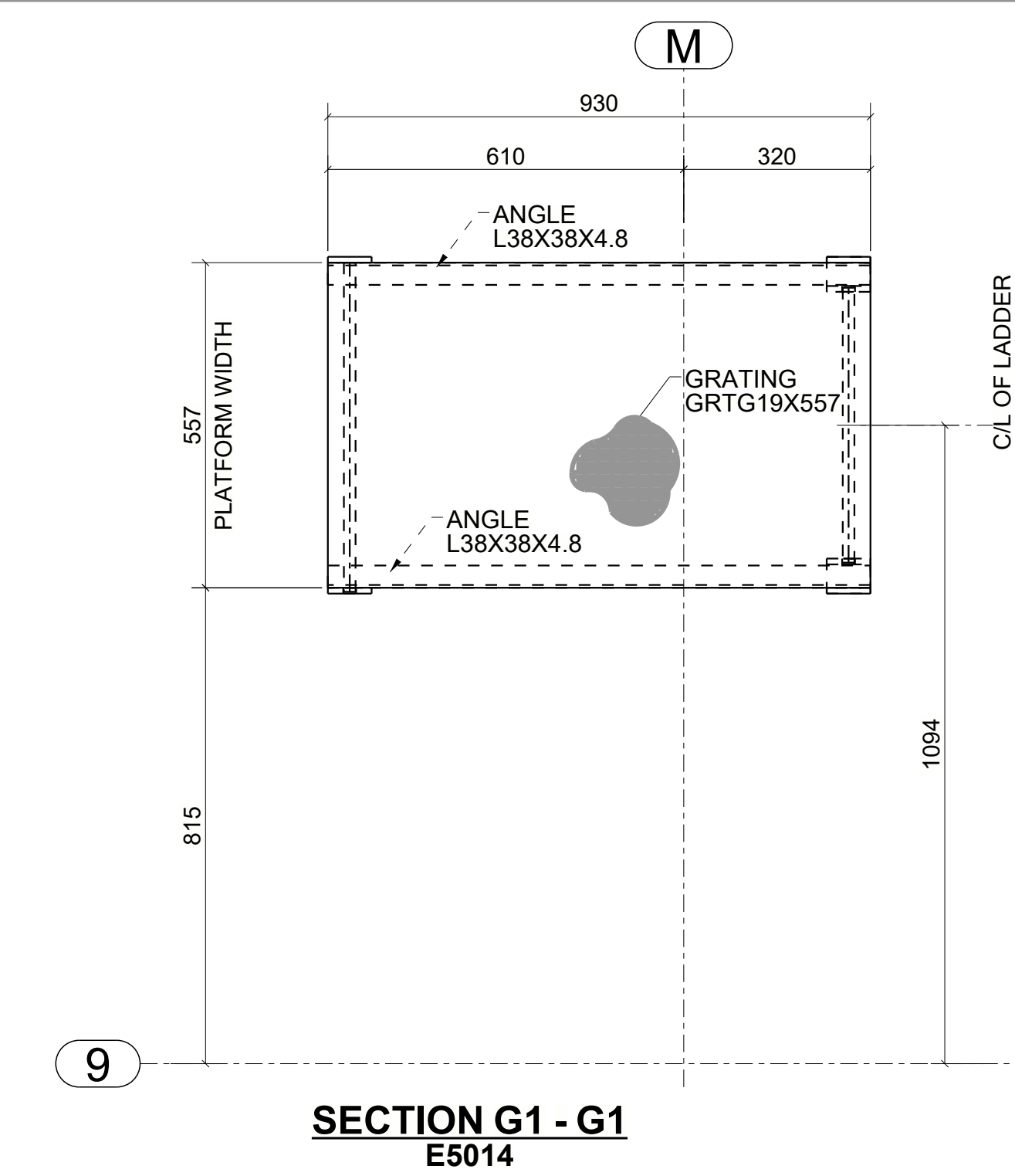
**SECTION C1 - C1**  
E5013



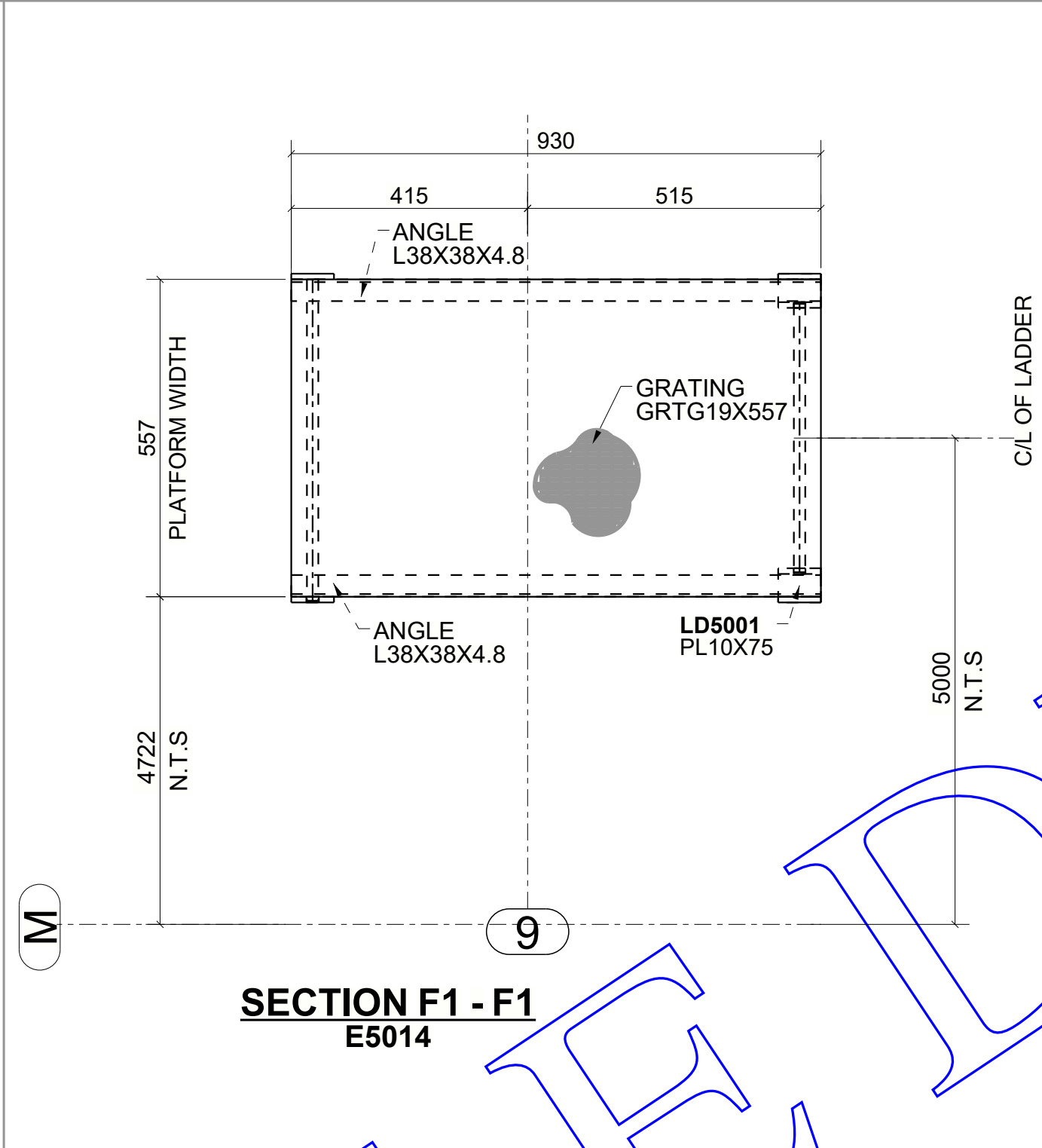
**SECTION D1 - D1**  
E5013



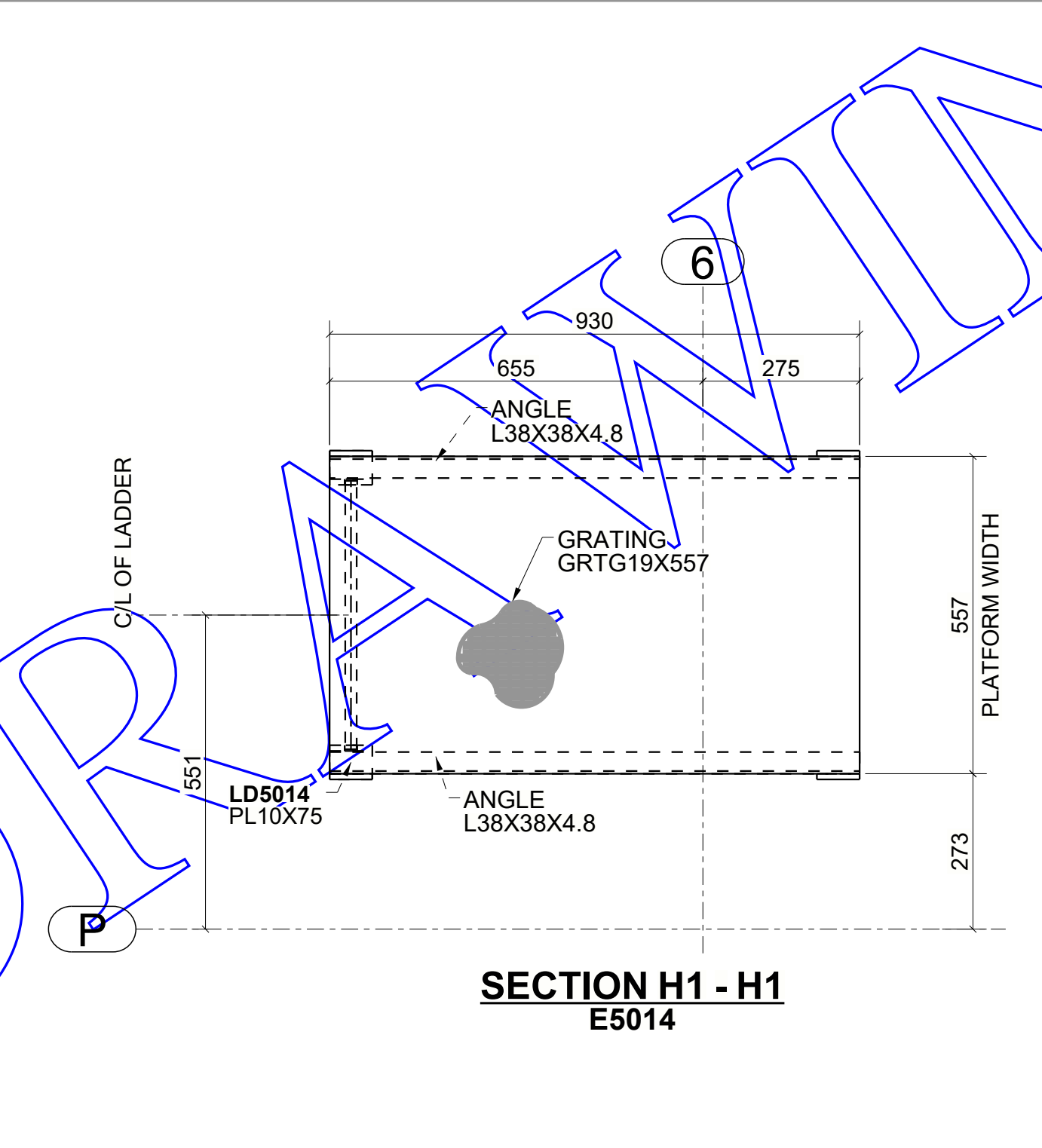
**SECTION E1 - E1**  
E5014



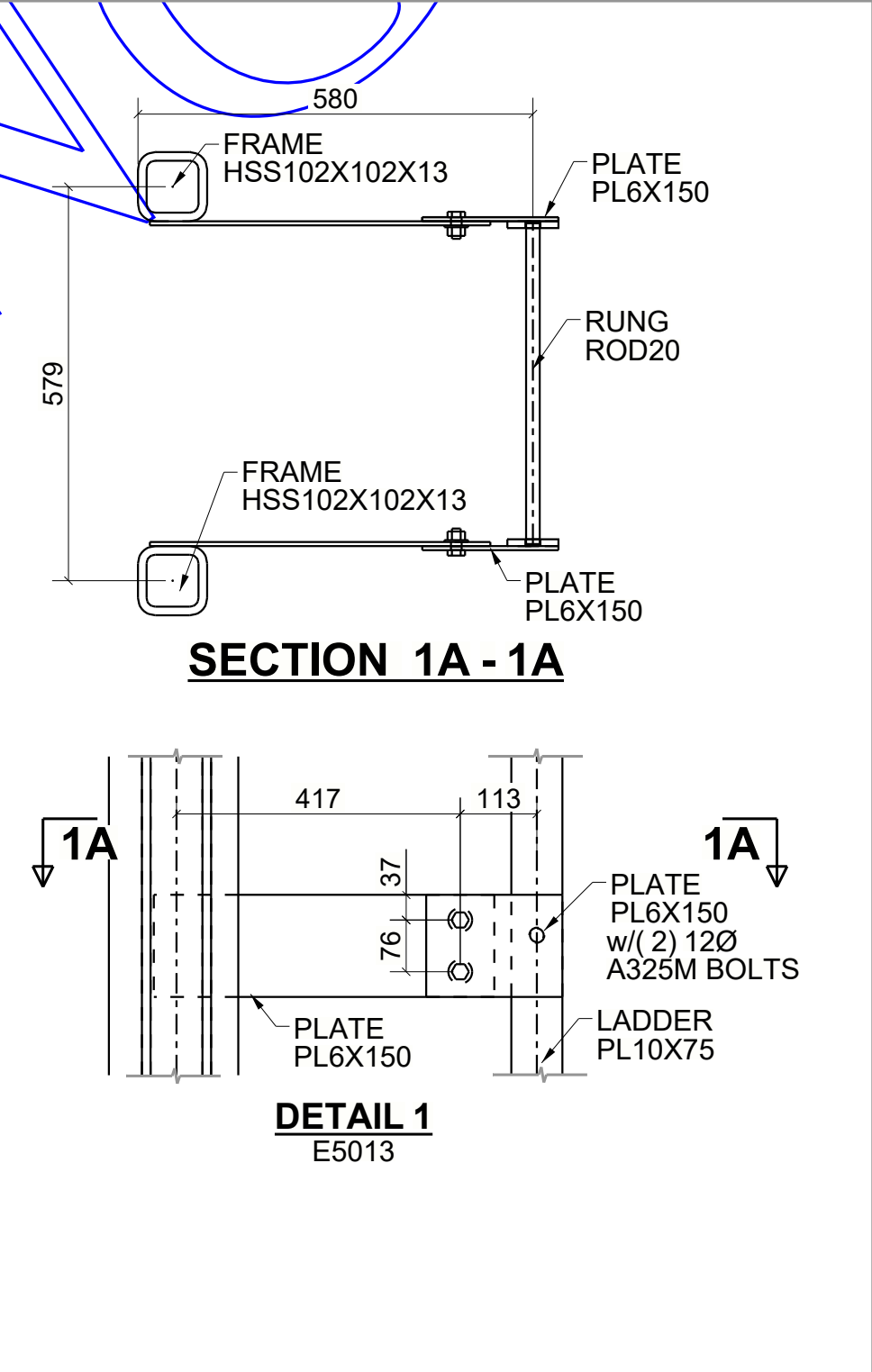
**SECTION G1 - G1**  
E5014



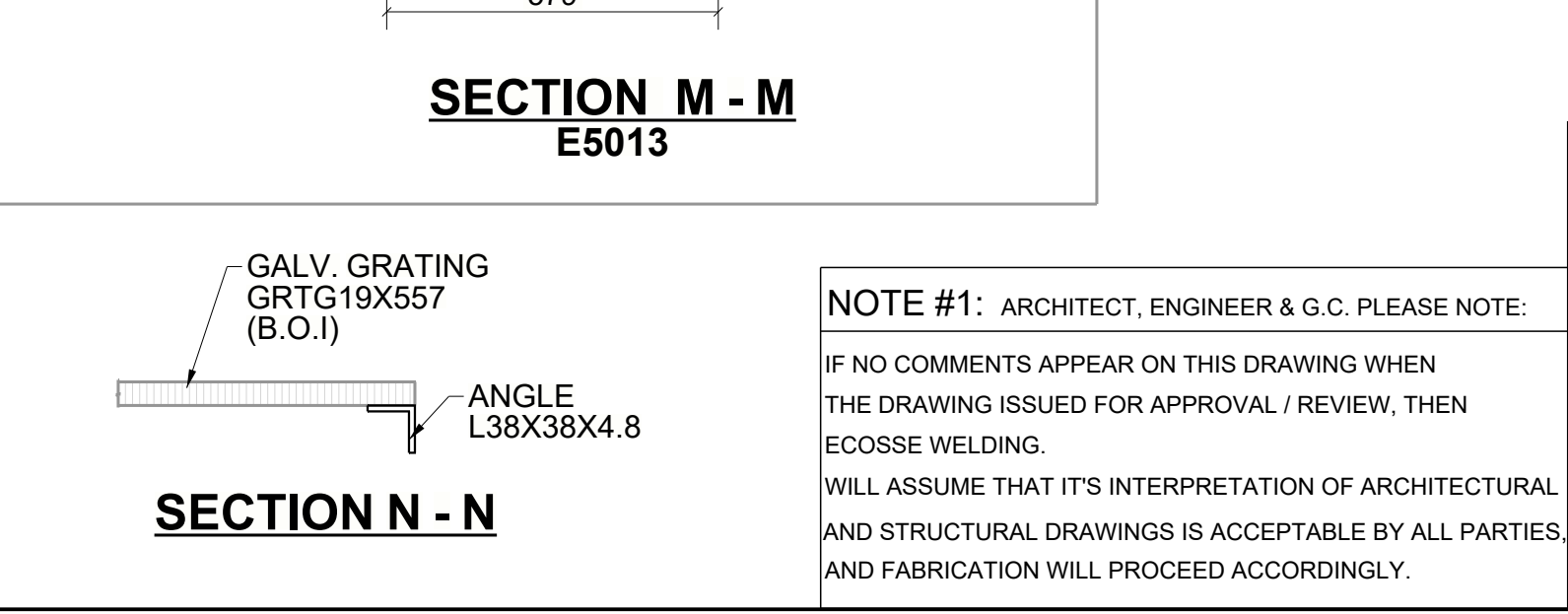
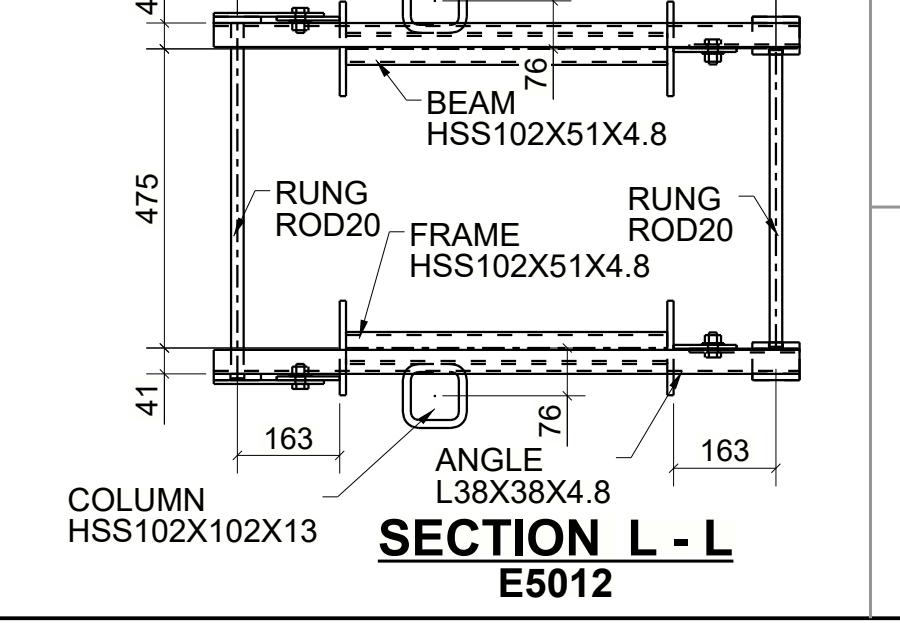
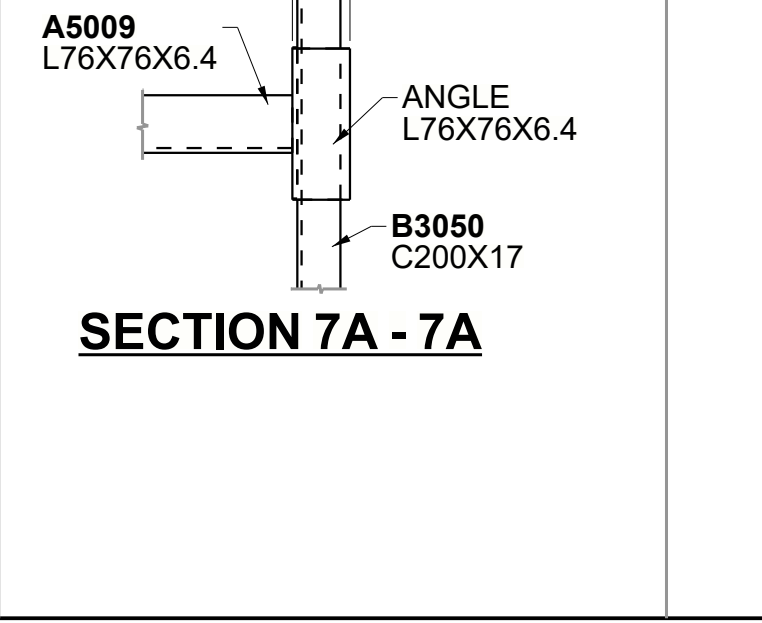
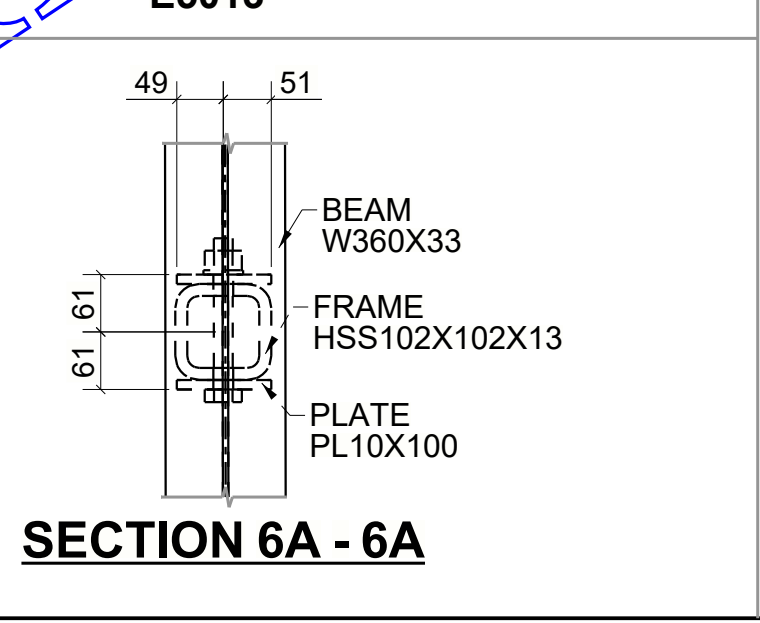
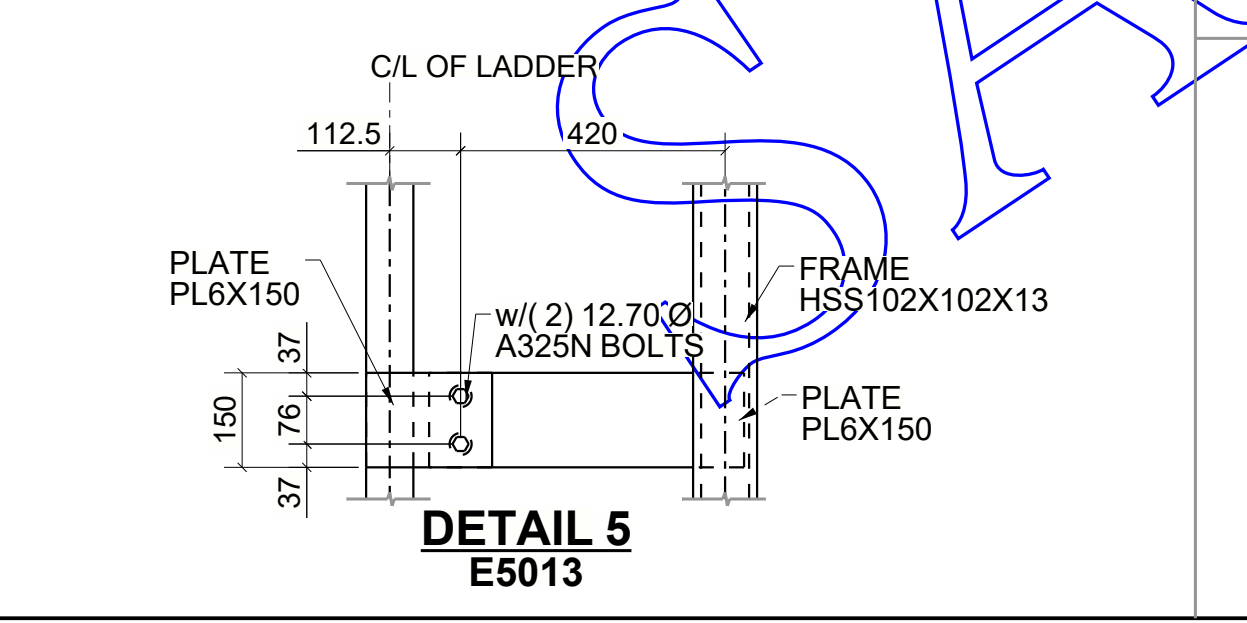
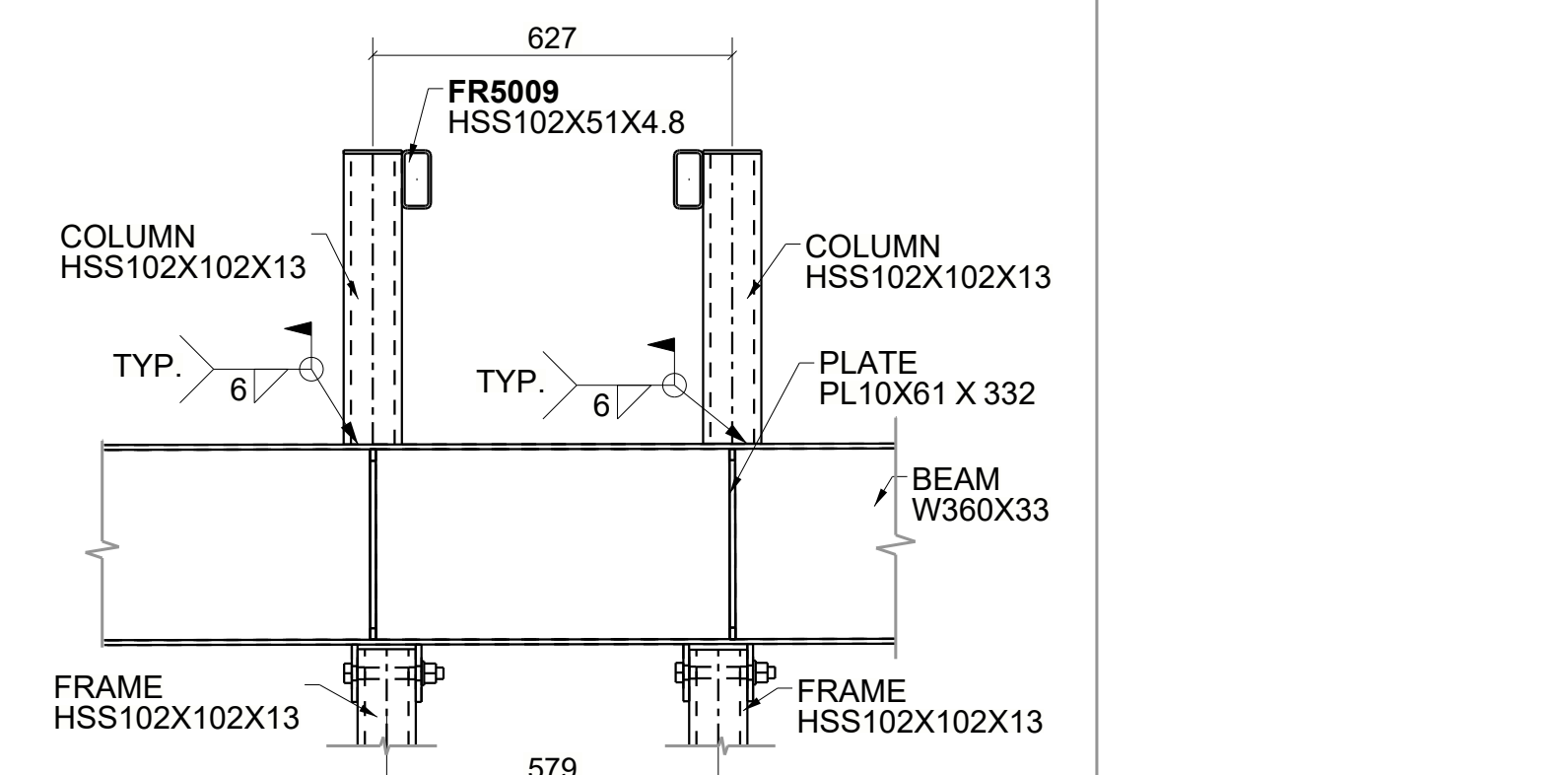
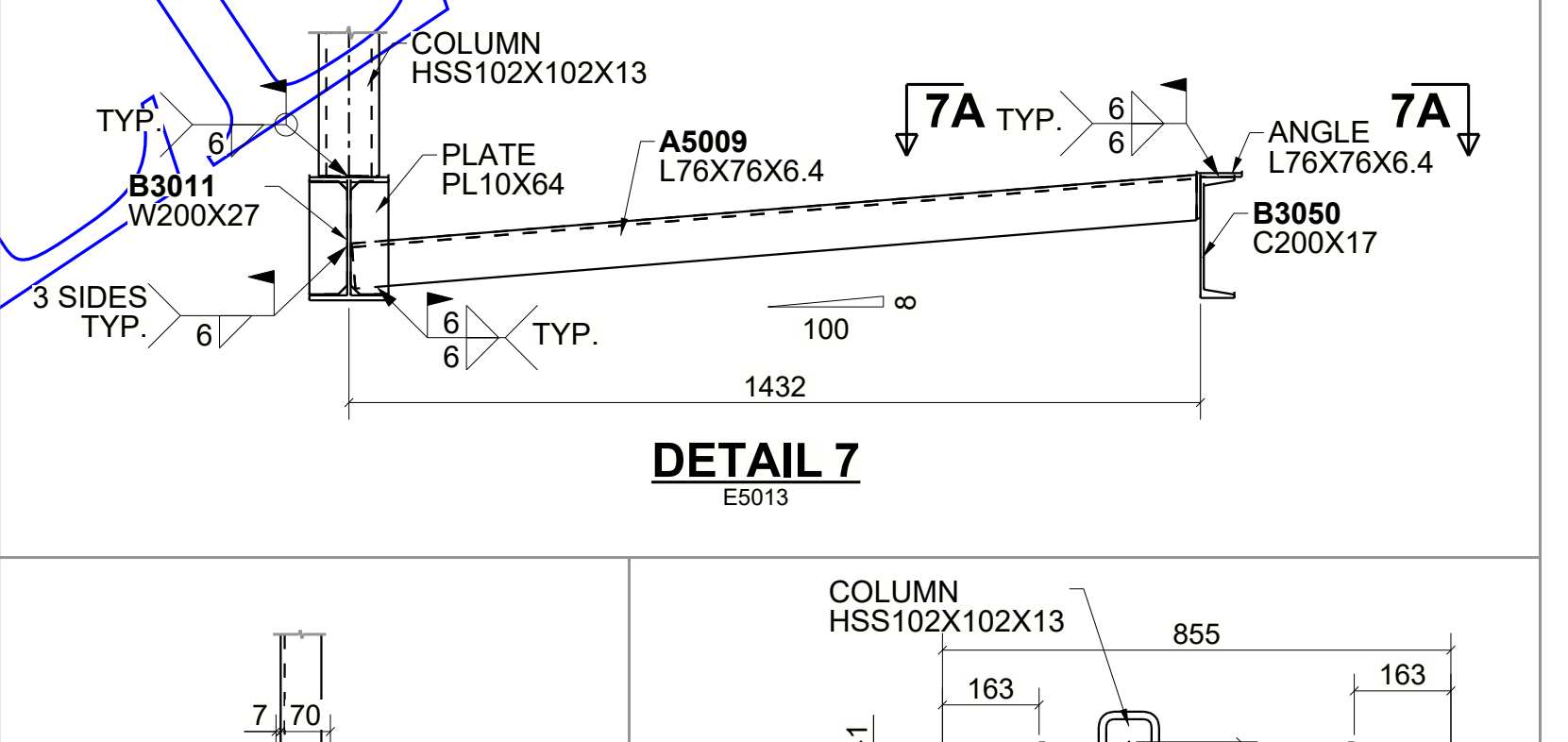
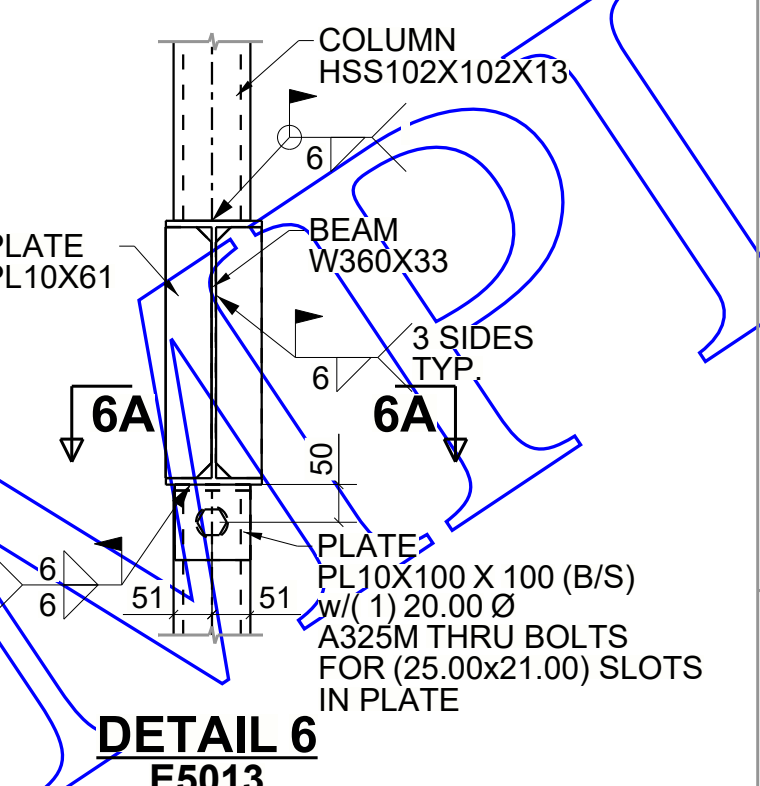
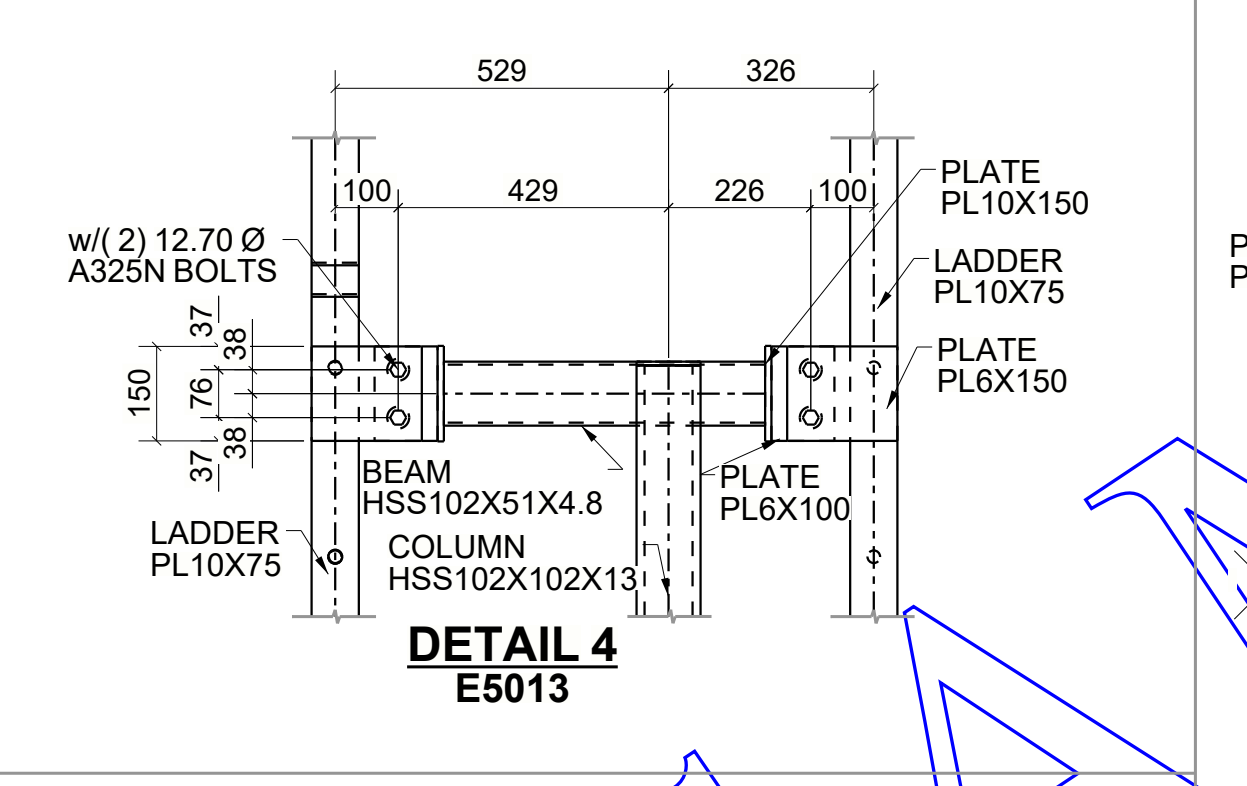
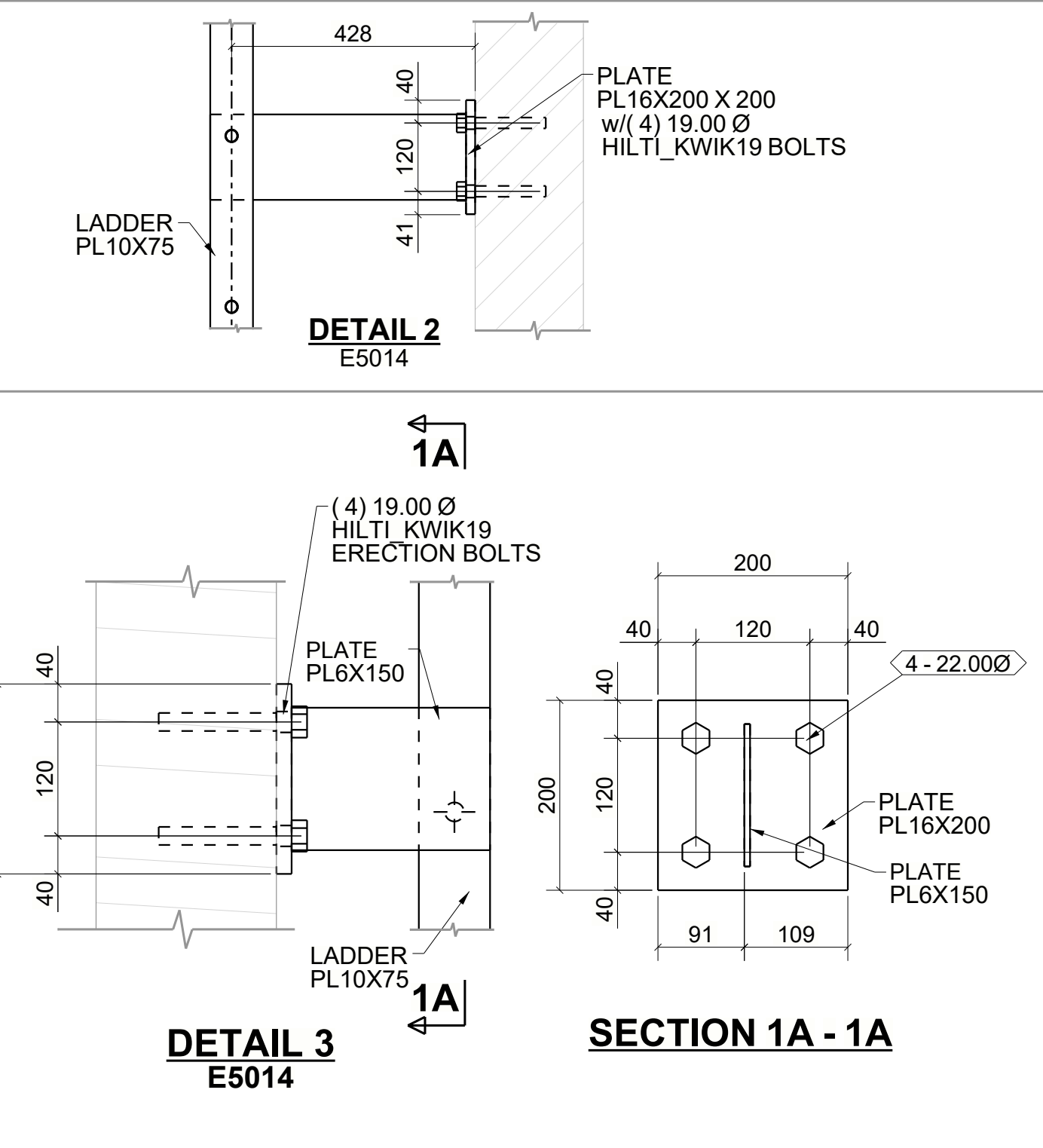
**SECTION F1 - F1**  
E5014



**SECTION H1 - H1**  
E5014

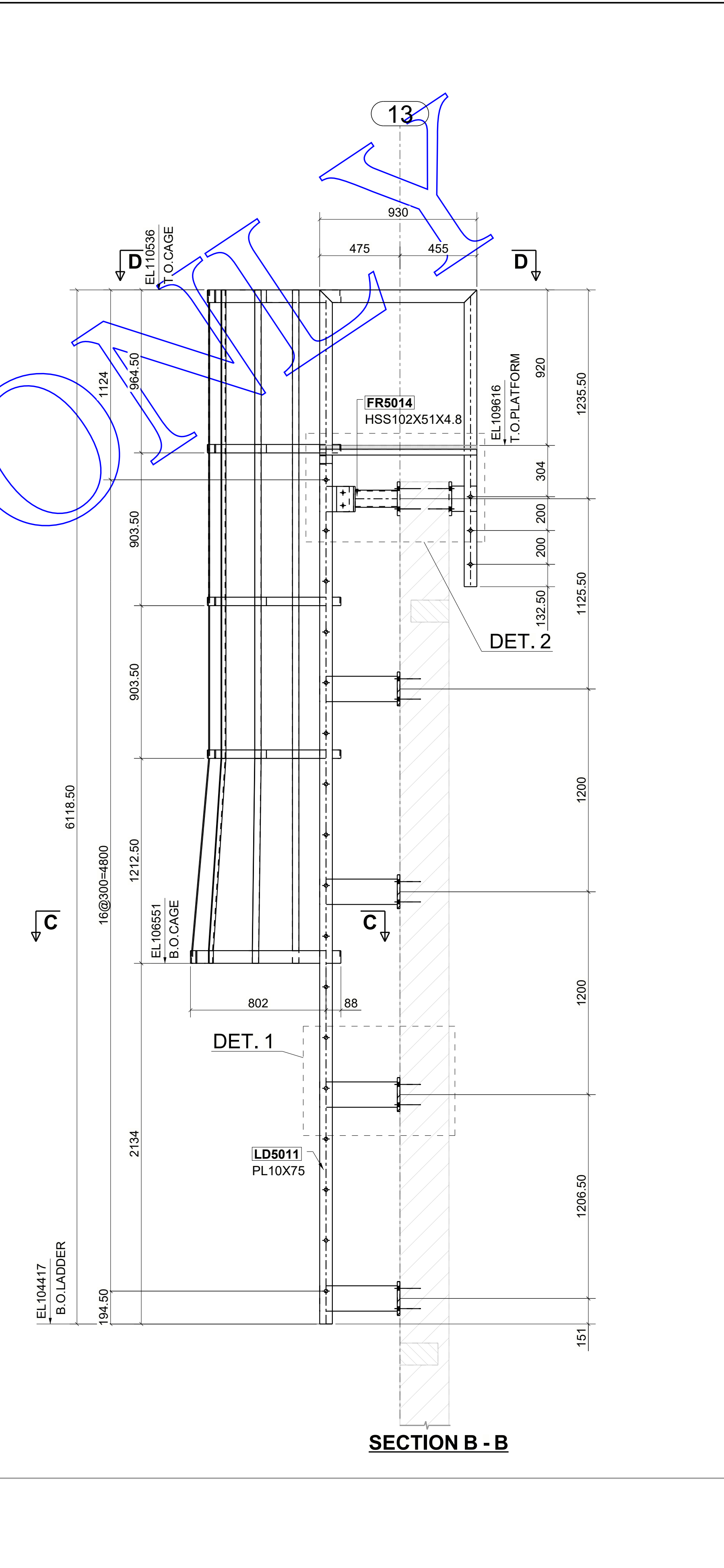
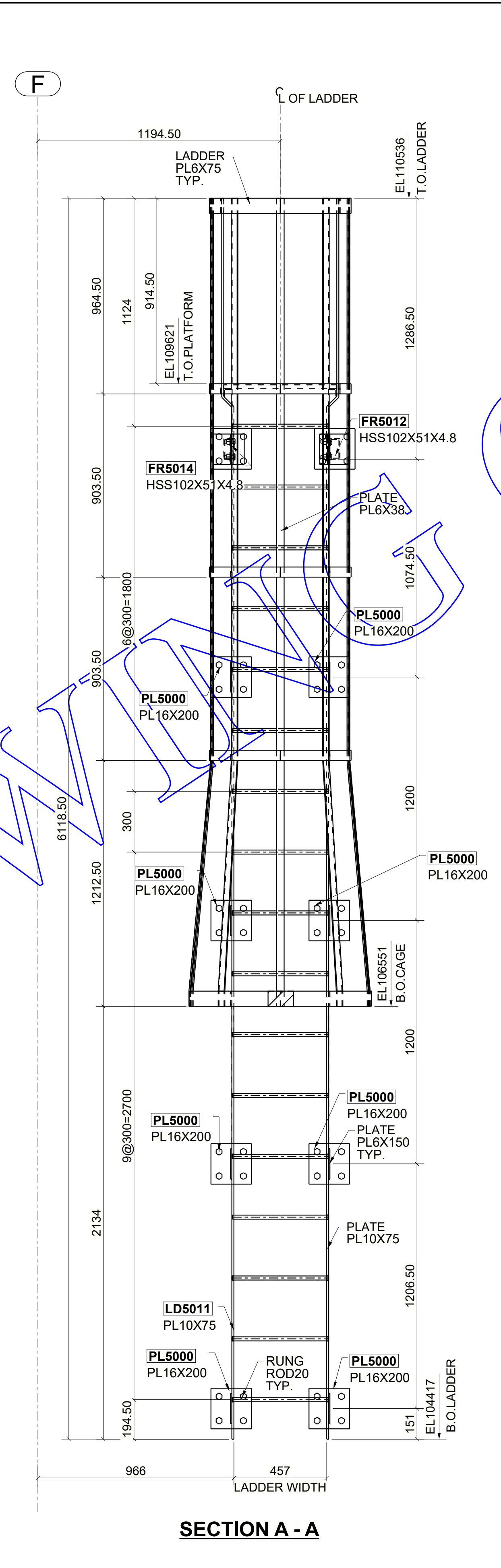
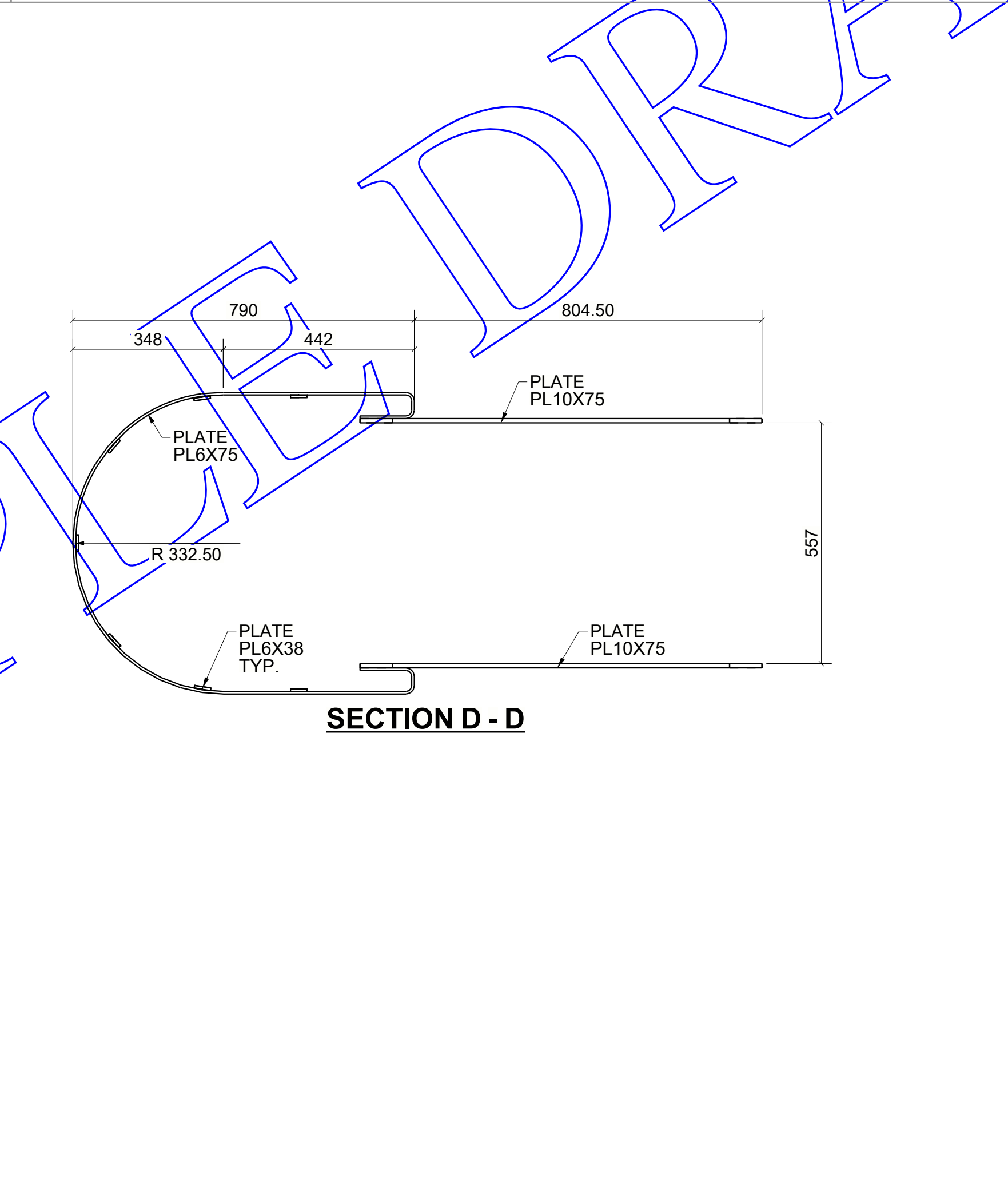
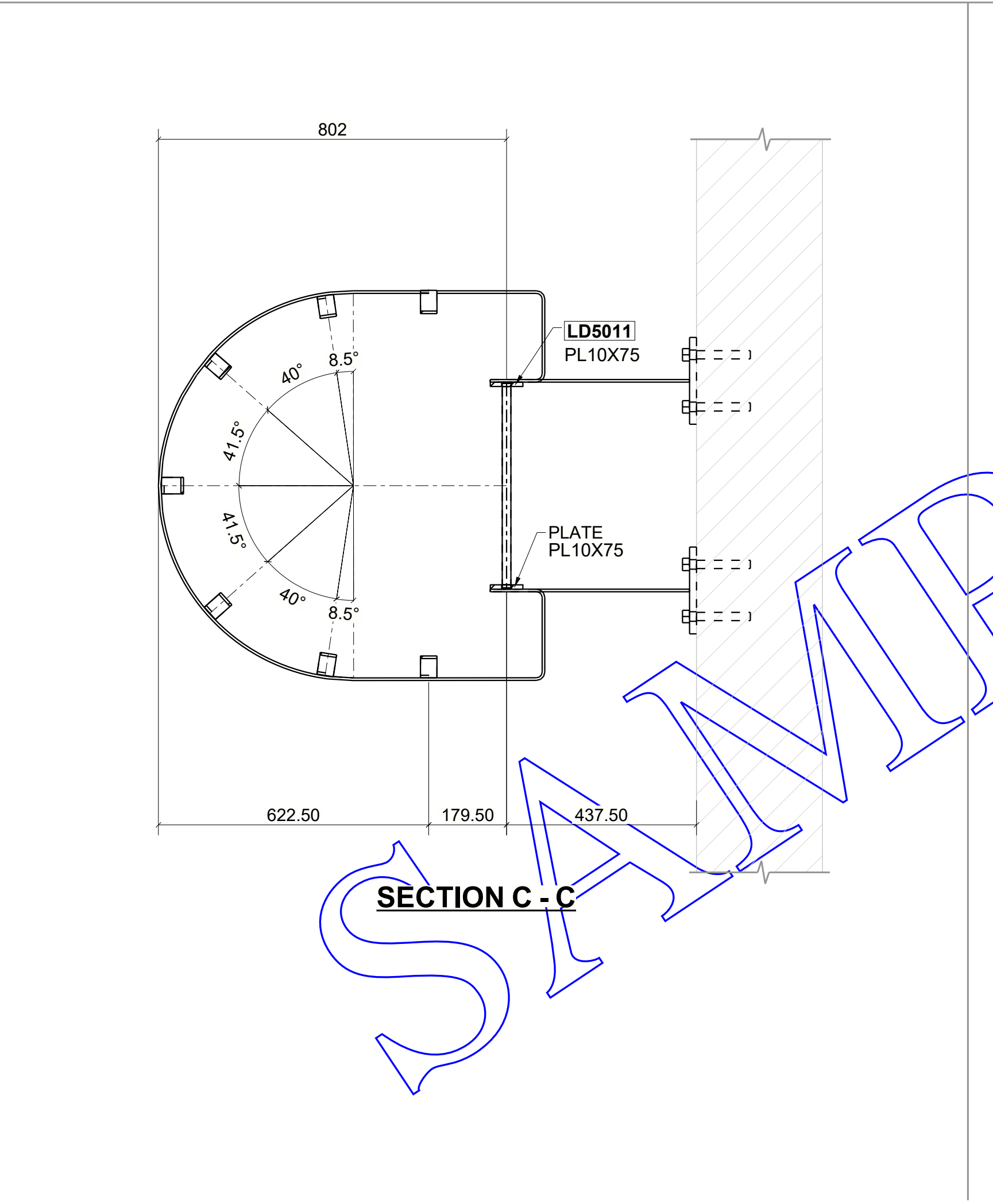
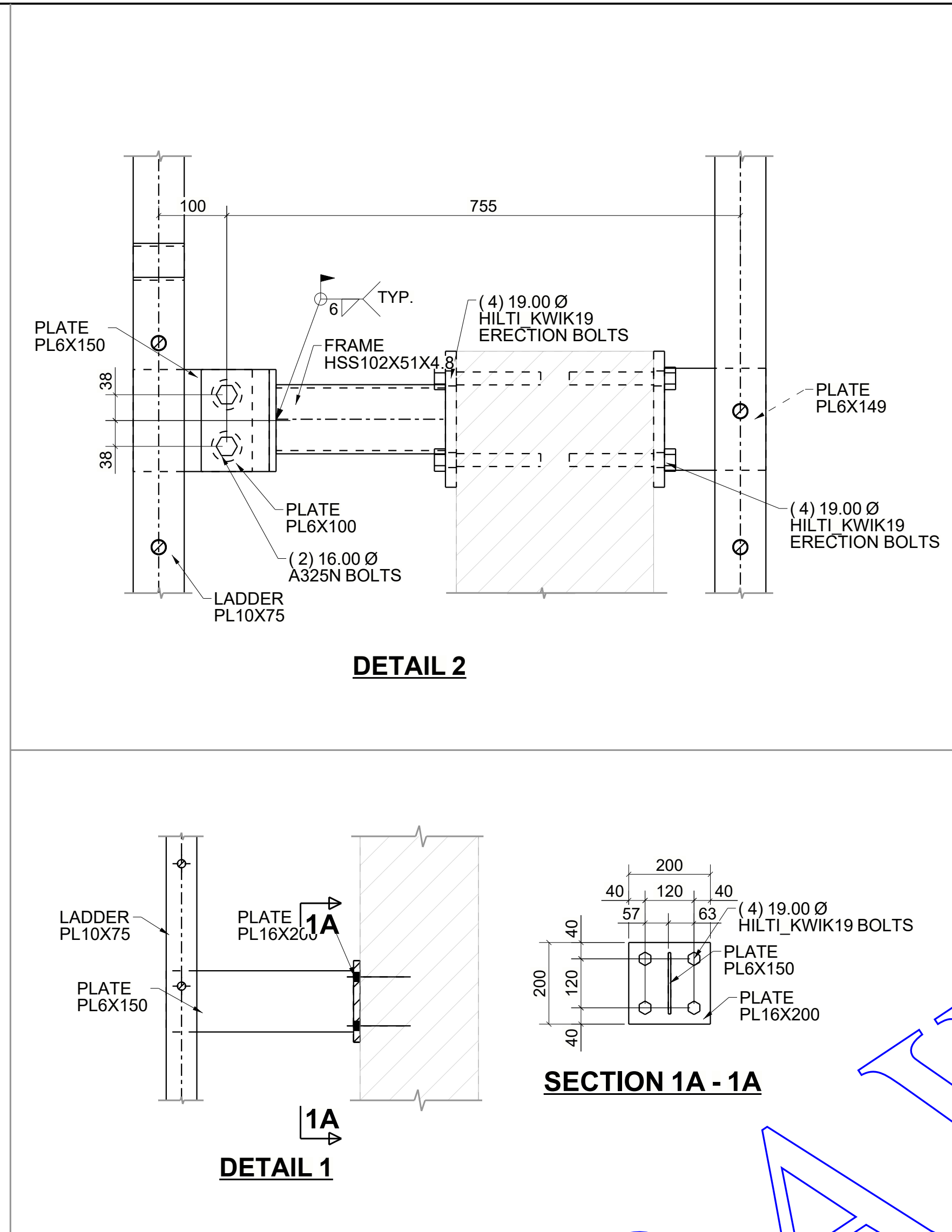
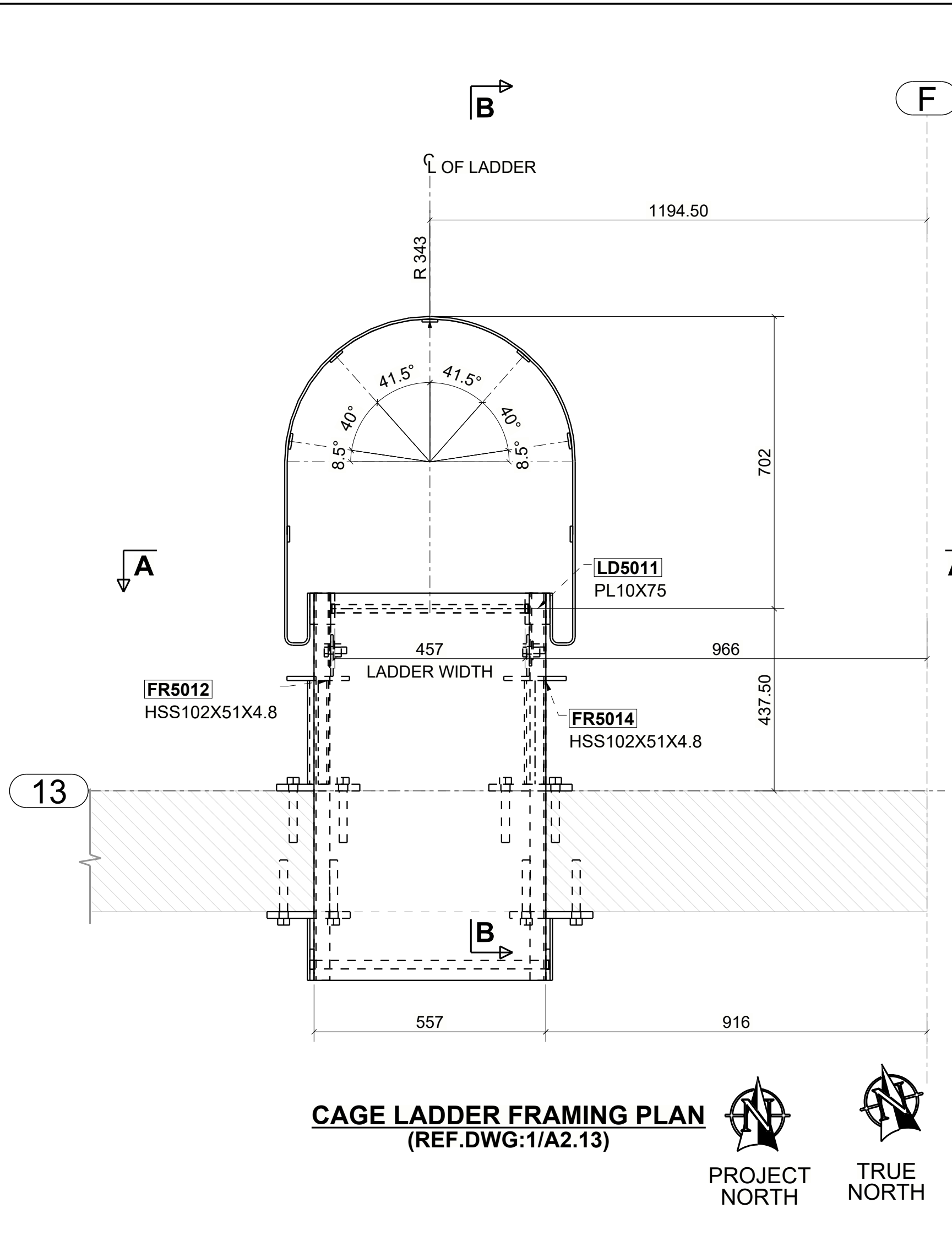


**SECTION 1A - 1A**  
E5013



**NOTE #1:** ARCHITECT, ENGINEER & G.C. PLEASE NOTE:  
IF NO COMMENTS APPEAR ON THIS DRAWING WHEN THE DRAWING ISSUED FOR APPROVAL / REVIEW, THEN ECOSSE WELDING.  
WILL ASSUME THAT ITS INTERPRETATION OF ARCHITECTURAL AND STRUCTURAL DRAWINGS IS ACCEPTABLE BY ALL PARTIES AND FABRICATION WILL PROCEED ACCORDINGLY.

<b>PROJECT:</b>		<b>DRAWN BY:</b> SAM		<b>CHECKED BY:</b> MAK		<b>JOB NUMBER:</b> 7000		<b>DWG NUMBER:</b> E5015		<b>REV:</b> 0	
<b>DETAIL:</b> SECTIONS AND DETAILS		<b>DATE:</b>		<b>PLOT DATE:</b>		<b>DATE:</b>		<b>DATE:</b>		<b>DATE:</b>	



**NOTE #1:** ARCHITECT, ENGINEER & G.C. PLEASE NOTE:  
IF NO COMMENTS APPEAR ON THIS DRAWING WHEN THE DRAWING ISSUED FOR APPROVAL / REVIEW, THEN ECOSSE WELDING.  
WILL ASSUME THAT ITS INTERPRETATION OF ARCHITECTURAL AND STRUCTURAL DRAWINGS IS ACCEPTABLE BY ALL PARTIES AND FABRICATION WILL PROCEED ACCORDINGLY.

<b>PROJECT:</b>		<b>CUSTOMER:</b>		<b>DETAIL:</b> CAGE LADDER FRAMING PLAN		<b>REV:</b>	
<b>DRAWN BY:</b> SAM	<b>CHECKED BY:</b> MAK	<b>JOB NUMBER:</b> 7000	<b>DWG NUMBER:</b> E5017				
<b>DATE:</b>	<b>PLOT DATE:</b>						